



**Features**

- 8.0" LED TFT LCD with stylish flat-bezel touchscreen
- Optional projected capacitive touchscreen supports multi-touch
- Fanless system with Intel® Atom™ N270 processor (512K Cache, 1.60 GHz, 533 MHz FSB)
- Hot keys controlled by cap-sensor in the front panel
- Optional color change kit matches the style of any decoration
- Wireless LAN 802.11b/g/n
- Built-in 2-megapixel CMOS camera with low-light capability
- Two 1.5W speakers and microphone for multimedia applications
- IP 64 compliant front panel
- IEI One Key Recovery solution allows you to create rapid OS backup and recovery (suggest with over 4GB storage capacity)



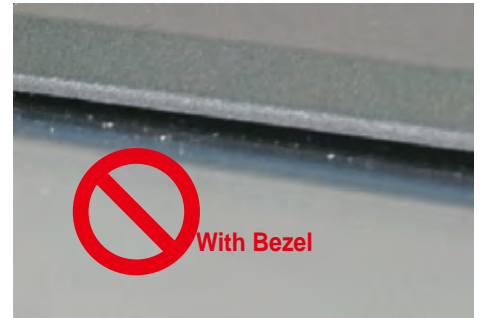
**Full-flat Surface Touchscreen**

The AFL-F08A flat-bezel design covers the entire front frame (bezel) of standard LCD to make the screen and bezel appear to blend together. The seamless flat-bezel touchscreen system offers a stylish and easy to clean surface.



**Flat-bezel Advantages:**

- Better visual effects
- No edge effect
- Sleek and stylish
- Easy to clean



**Applications**



OFFICE



LIVING ROOM



YACHTING



KITCHEN



AUTOMATION



MUSEUM

## Picture Frame In-Wall Mount

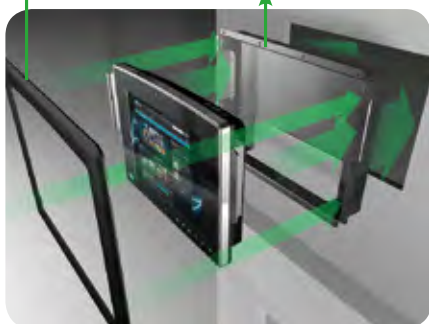
This optional kit includes a decorative front plate and wall mount enclosure to securely house the AFL-F08A panel PC. The enclosure includes knockouts for power and I/O interface cables.



3.7mm

Decorative front plate

In-Wall Enclosure

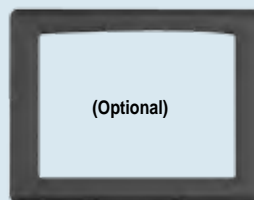


### • Optional Decorative Kit:

DIM.  
300mm x 230mm x 3.7mm



+



=



## ■ Projected Capacitive Touch Sensor

### • Operational Theory

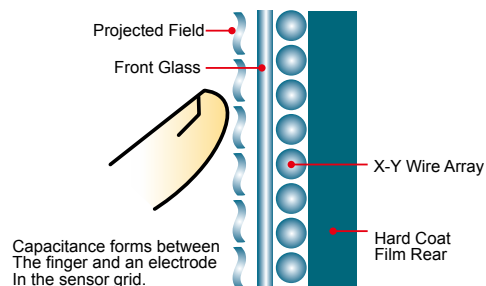
Projected capacitive touch is based on principle of embedding an array of micro-fine sensing wires within a multi-layer laminated screen behind a protective front surface, ensuring that the sensing medium is well-protected from accidental damage.



Activated by a finger or gloved hand

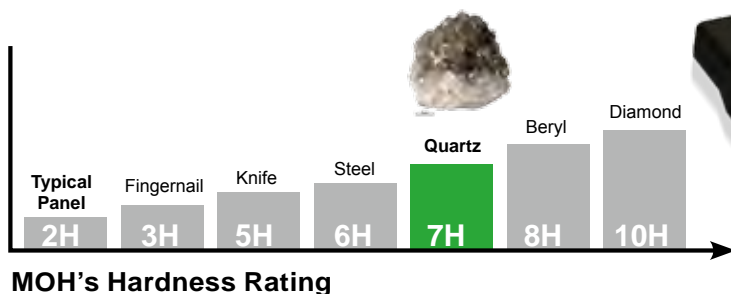
### • Windows® 7 with Multi-touch Capability

The AFL-F08A comes with the true multi-touch Microsoft Windows 7 operating system. Windows 7 features improved touch and gesture support. With Windows 7, handwriting recognition is faster, more accurate and with more language support.



### • 7H Anti-scratch Surface (Projected capacitive type touch screen)

Projected Capacitive touch technology utilizes a durable glass front surface. 7H hardness is stronger than the conventional touch panel and therefore is able to protect the screen from damage.



## Specifications

Model	AFL-F08A-N270	
LCD Size	8"	
Max Resolution	800 x 600	
Brightness (cd/m <sup>2</sup> )	250	
Contrast Ratio	500:1	
LCD Color	262K	
Pixel Pitch (mm)	0.2025 (H) x 0.2025 (V)	
Viewing Angle (H-V)	140° / 130°	
Backlight MTBF	30000 hrs (LED Backlight)	
SBC Model	AFLMB-945GSE-N270-R10	
CPU	Intel® Atom™ Processor N270 (512K Cache, 1.60 GHz, 533 MHz FSB)	
Chipset	Intel® 945GSE + ICH7M	
RAM	Supports one 400MHz or 533MHz DDR2 SO-DIMM (Max. 2GB)	
I/O Ports	1 x RS-232 COM Port 1 x RS-232/422/485 COM Port 2 x RJ-45 for GbE 2 x USB 2.0	1 x Reset Button 1 x Audio Port (line-out) 1 x 12V DC Power Jack 1 x External SATA
Storage	CF Type II	
Watchdog Timer	Software programmable supports 1~255 sec. system reset	
Audio	AMP 1.5W + 1.5W (internal speakers)	
Wireless Connection	1 x Wireless LAN 802.11b/g/n Module (internal PCIe Mini interface)	
Camera	2 megapixel with Low Light Function and digital microphone	
Front Panel Construction	ABS + PC Plastic front frame	
Membrane Keypad	LCD on/off, Brightness up/down, Volume up/down by cap-sensor	
Mounting	In-Wall, Panel, Wall, Stand and Arm VESA 75mm x 75mm	
Front Panel Color	Black	
Dimensions (WxHxD) (mm)	234 x 177 x 43	
Operation Temperature (°C)	-10°C ~ 50°C	
Storage Temperature (°C)	-20°C ~ 60°C	
N/G Weight	1.8Kg	
IP Level	IP 64 compliant front panel	
Safety & EMC	CE / FCC	
Touch Screen	5 (touch controller IC is on board) or projected capacitive type touch screen	
Power Adapter	63040-010036-111-RS 36W Power Adapter (Meet PSE) Input: 90VAC~264VAC, 50/60Hz Output: 12VDC	
Power Requirement	12VDC	
Power Consumption	32W	



## Ordering Information

	Part Number	Description
<b>Resistive Touch Panel</b>	AFL-F08A-N270/R/1G-R25	8.0" 250cd/m <sup>2</sup> SVGA fanless panel PC with Intel® Atom™ N270 1.6GHz CPU, 1GB DDR2 RAM, 802.11b/g/n Wi-Fi, touch screen, 2 megapixel camera, microphone, R25
<b>Projected Capacitive Multi-Touch Panel</b>	AFL-F08A-N270/PC/1G-R25	8.0" 250cd/m <sup>2</sup> SVGA fanless panel PC with Intel® Atom™ N270 1.6GHz CPU, 1GB DDR2 RAM, 802.11b/g/n Wi-Fi, projected capacitive multi-touch panel screen, 2 megapixel camera, microphone, R25

## Options

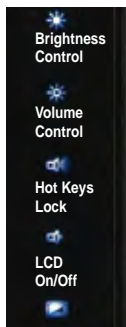
Item	AFL-F08A-N270/R (Resistive type touch)	AFL-F08A-N270/PC (PCT type touch)
Panel Mounting Kit	AFLPK-12	
Wall Mounting Kit	AFLWK-12	
Rack Mounting Kit	AFLRK-08	
Arm	ARM-11-RS / ARM-31-RS	
Stand	STAND-100-RS / STAND-C12	
VSTAND	VSTAND-A10-R11	
9~30VDC to 12VDC converter Module	IDD-930160-KIT	
OS: Win XPE (1 GB CF card)	AFLCF-F08-N270-XPE-R25	
OS: Win 7 Embedded (4 GB CF card)	AFLCF-F08-N270-WES7E-R25	AFLCF-F08-N270-WES7P-R25
Magnetic Stripe Reader	AFLP-08AMSR-U	
DC 12V Input UPS	AUPS-A10-R10 (7.4V 3800mAH)	
DC 9~36V Input UPS	AUPS-A20-R10 (7.4V 3800mAH)	
In-wall Cage	AFLIWC-F08A-R10	

Note: Multi-touch function is only supported on Windows 7 on PCT type touch.

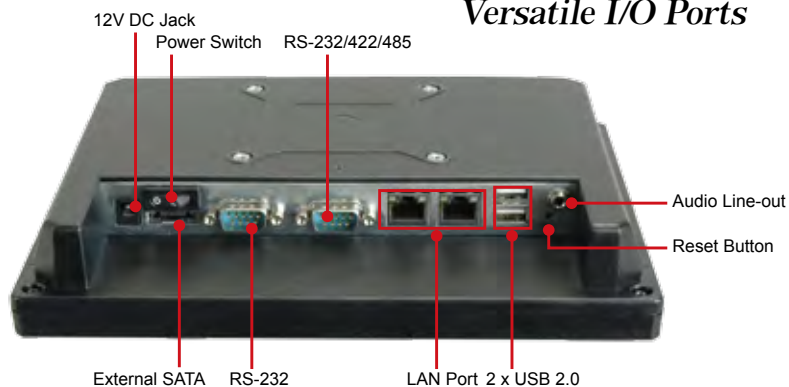
## Packing List

Item	Part Number	Q'ty	Specification
Screw Pack	44013-030041-RS	4	M3;5mm
Power Adpater	63040-010036-111-RS	1	90~264V AC; 12V DC; 36W (Meet PSE)
Power Cord	32000-000002-RS	1	1750mm; European Standard (EU or US, depending on the shipment country)
Utility CD	7B000-000087-RS	1	
Touch Pen	43125-0002C0-00-RS	1	
One Key Recovery CD		1	

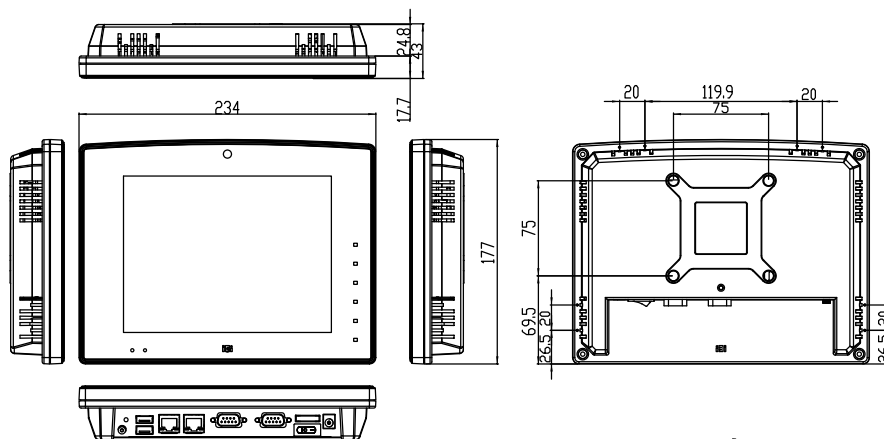
## Hot Keys Controlled by Cap-Sensor



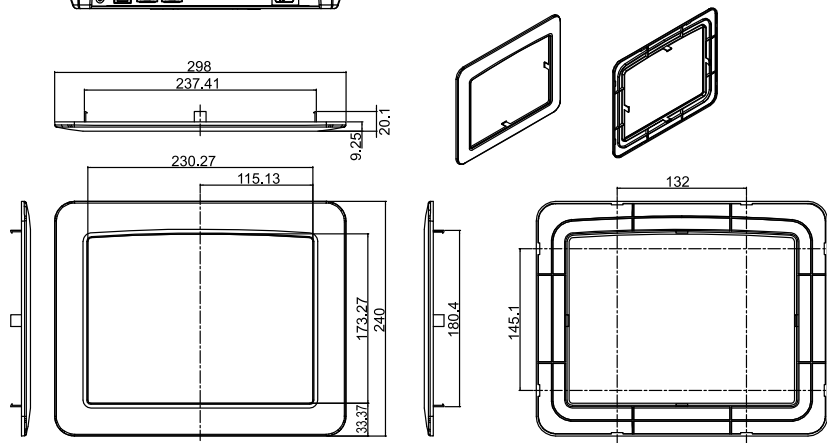
## Versatile I/O Ports



### Dimensions (Unit: mm)



### Decoration Kit Dimensions (Unit: mm)



### In-Wall Cage Dimensions (Unit: mm)

