

# IPPC-5211WS

## 21.5" Full HD TFT LED LCD Industrial Multi-Touch Panel PC with Stainless Steel Chassis and IP69K Rating

**NEW**



### Features

- Stainless steel chassis with IP69K waterproof rating
- The detachable product portfolio with accessories for various applications.
- Intel® Celeron Processor J1900
- Operating temperature : 0 ~ 50°C
- 21.5" Full HD TFT LED LCD display
- 16:9 widescreen with PCT multi-touch
- Supports iDoor or antenna
- Built-in function and home key button used for intuitive UI
- Fully flat glass front panel with 7H hardness
- Fanless cooling system
- Front LED indicator to show operating status
- Supports Advantech SNMP subagent

### Introduction

The IPPC-5211WS 21.5" fully sealed stainless steel multi-touch panel PC is IP69K rated and has a detachable product portfolio designed for OEMs and process manufacturing. It supports special functions via iDoor, iKey and an antenna, and is designed for HMIs which require better performance and functionality of machine-level interfaces used in Machine-to-Machine (M2M), Internet of Things (IoT) etc which require extra protection for hygienic and harsh environments where the intrusion of dust, condensation and water jets is possible. The IPPC-5211WS can also perform a touch shut-down to avoid accidental operation.

### Specifications

#### General

- **BIOS** AMI UEFI
- **Certification** IP69K, CE, FCC Class A, UL, CCC, BSMI
- **Cooling System** Fanless design
- **Dimensions (W x H x D)** 555 x 346.5 x 81 (21.85" x 13.64" x 3.19")
- **Enclosure** Front : Stainless steel  
Back : Aluminum / stainless steel(optional)
- **Mounting** VESA and flange adapter for arm and foot system
- **Power Consumption** 40.8 W
- **Power Input** 21~27 V<sub>DC</sub>
- **Weight** 15.8 Kg
- **OS Support** Microsoft® WES7 32bit/64bit Windows 7 32bit/64bit  
Windows Embedded 8.1 Industry Pro 64bit

#### System Hardware

- **CPU** Intel® Celeron Processor J1900
- **Memory** 4 GB DDR3L SO-DIMM, up to 8GB
- **LAN** RTL8111E-VL-CG
- **Expansion Slots** 1 x Full-size Mini PCI-E x 1
- **Storage** 1 x CFast  
1 x 2.5" SATA(Default) or CFast (optional)
- **I/O** 2 x 10/100/1000 Mbps RJ45  
1 x RS-232  
1 x RS-232/RS-485/RS-422  
1 x USB 2.0  
1 x USB 3.0  
1 x Waterproof Wireless Antenna (optional)

#### LCD

- **Display Type** Full HD TFT LED LCD
- **Display Size** 21.5"
- **Max. Resolution** 1920 x 1080
- **Max. Colors** 16.7M

- **Luminance (cd/m<sup>2</sup>)** 300
- **Viewing Angle(H/V)** 178 / 178
- **Backlight Life** 50,000 hrs

#### Touchscreen

- **Light Transmission** ≥ 88%
- **Resolution** 4096 x 4096 dpi
- **Type** Projected capacitive

#### Environment

- **Humidity** 10 ~ 95% RH @ 40°C, non-condensing  
**Note:** Tested for 48 hrs
- **Operating Temperature** 0 ~ 50°C (32 ~ 122°F)
- **Storage Temperature** -20 ~ 60°C (-4 ~ 140°F)
- **Vibration Protection** With HDD: 1 Grms (5~500Hz)  
(Operating, random vibration)

### Ordering Information

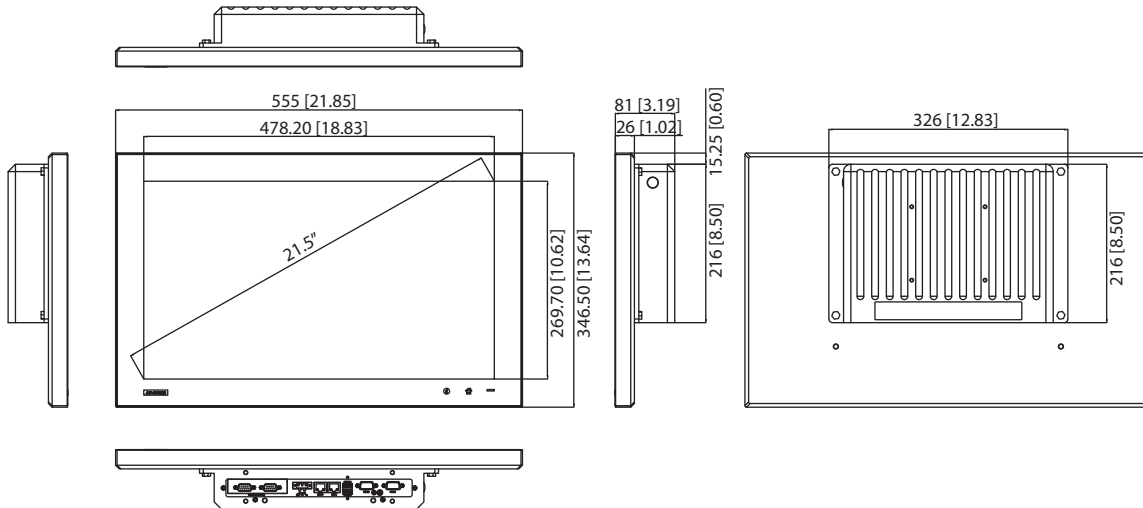
- **IPPC-5211WS-J3AE** 21.5" Full HD 1080 TFT LCD with PCT touch, Intel® Celeron Processor & IP69K rating
- **IPPC5211WSJ1501E-T** IPPC-5211WS-J3AE with complete stainless steel housing

### iDoor Modules

- **PCM-24D2R4-AE** 2-Port Isolated RS-422/485 mPCIe, DB9
- **PCM-24D2R2-AE** 2-Port Isolated RS-232 mPCIe, DB9
- **PCM-27D24DI-AE** 24-Channel Isolated Digital I/O w/ counter mPCIe, DB37
- **PCM-26R2PN-MAE** 2-Port Hilscher netX100 FieldBus mPCIe, PROFINET, RJ45, Master
- **PCM-26R2PN-SAE** 2-Port Hilscher netX100 FieldBus mPCIe, PROFINET, RJ45, Slave
- **PCM-26D1DB-MAE** 1-Port Hilscher netX100 FieldBus mPCIe, PROFIBUS, DB9, Master
- **PCM-26D1DB-SAE** 1-Port Hilscher netX100 FieldBus mPCIe, PROFIBUS, DB9, Slave

## Dimensions

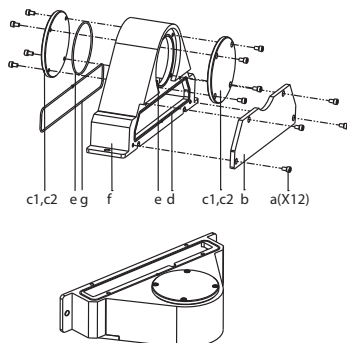
Unit: mm [inch]



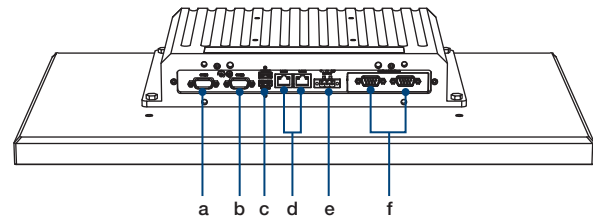
## Optional Accessories

- **PWR-247-CE** 100-240V 60W 24V 2.5A Power Supply
- **2070013799** Image WS7P x64 MUI. v4.12 B001 for IPPC-5211WS
- **IPPC-5211WS-EMKE** The flange adaptor to connect the front panel with the arm or foot system, and for rear side IP69K protection
- **IPPC-5000-FLAE** All Stainless steel flange adaptor to connect the front panel with the arm or foot system, and for rear side IP69K protection

### IPPC-5211WS-EMKE



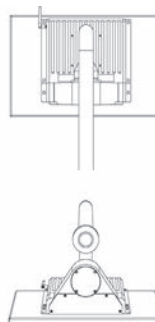
## Rear View



- a. COM1 (RS-232)
- b. COM2 (RS232/RS485/RS422)
- c. 2 x USB (USB 1 x 3.0, 1 x 2.0)
- d. 2 x LAN (10/100/1000 Mbps)
- e. Power Inlet
- f. iDoor

## Product Type with IPPC-5211WS-EMKE

### Arm System



### Foot System

