

# PPC-8170

## 17" Panel PC with Intel® Core™ i3 / i5 Processor



### Features

- 17" TFT LED Panel, resolution up to 1280 x 1024
- Built-in Intel® Core™ i3, i5 desktop processor (LGA) with Intel H61 chipset
- Two 204 PIN DDR3 SO-DIMM, DDR3 1066/1333/1600MHz SDRAM, up to 8 GB/4 GB per SO-DIMM
- Support one expansion PCIe x 4 slot installed. (Replaceable with PCI riser accessory)
- Supports 6 USB, 6 COMs, 1 x GPIO 8 bits (Internal pin header)
- Support 1 x 2.5" SATA bay
- Support AC 100 ~ 240V input
- Supports iManager, SUSIAccess and Embedded Software APIs



### Introduction

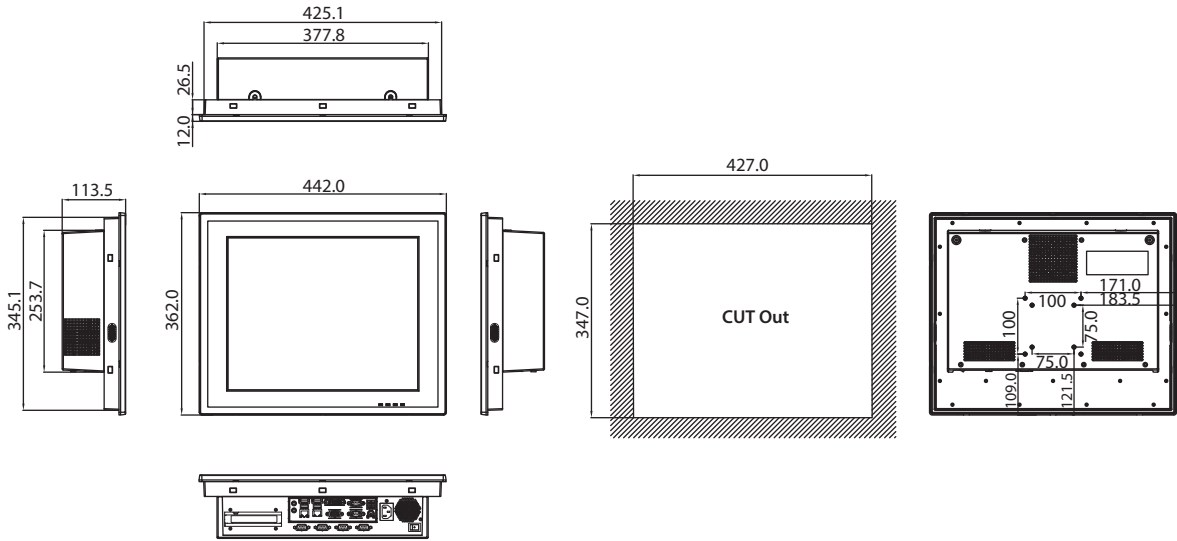
PPC-8170 is a Panel PC with an Intel® Core™ i3/i5 desktop processor, and a 17" color TFT LCD panel. It features extremely high computing power and performance, excellent connectivity, and good expansion ability. In addition, its rich variety of IO support makes it an easy choice for information applications, and provides a great solution for a wide-range of industrial applications.

### Specifications

<b>Processor System</b>	CPU	Intel® Core i3-3220	Intel® Core i5-3550S
	Cores	Dual Core	Quad Core
	Frequency	3.3GHz	3.7 GHz
	L3 Cache	3 MB	6 MB
	Chipset	H61	
	Memory	2 x SO-DIMM, DDR3 1066/1333/1600, Max 16 GB	
	Storage	1 x 2.5" SATA Bay	
	Network (LAN)	2 x 10/100/1000 Mbps Ethernet	
	I/O ports	6 x Serial ports: 1 x RS-232/422/485, 5 x RS-232 6 x USB2.0 1 x VGA, 1 x DVI 1 x GPIO 8 bits (Internal pin header) 1 x Line-out, 1 x Min-in 1 x PS/2	
	Expansion	1 x PCIe x4 (Default) 1 x PCI (in the accessory box) 1 x Mini PCIe	
Speaker	2 x 1W		
Fan	1 x 12V 80x80x15mm		
<b>Physical Characteristics</b>	Dimensions	442.0 x 362.0 x 113.5mm (17.4" x 14.25" x 4.47")	
	Weight	9.2 Kg (20.28lb)	
<b>OS Support</b>	OS Support	Microsoft® Windows XP Pro/WES7 32bit&64bit/Windows 7 32bit&64bit/Windows 8.1 32bit&64bit/Win10 32bit&64bit	
<b>Power Consumption</b>	Output Rating	180W (Max.)	
	Input Voltage	100 - 240 Vac, 50/60Hz, 4-2A	
	Power Consumption	81W with i3-3220 96W with i5-3550s (Burn-in test 7.0 in Windows 7 32-bit)	
<b>LCD Display</b>	Display Type	17" TFT LED Panel	
	Max. Resolution	1280 x 1024	
	Viewing Angle	80 (left), 80 (right), 60 (up), 80 (down)	
	Luminance (cd/m <sup>2</sup> )	350	
	Contrast Ratio	800	
	Backlight Lifetime	50,000 hrs (Min.)	
<b>Touchscreen</b>	Touch Type	Analog Resistive 5-wire	
	Light Transmission	81+/-3%	
	Controller	USB Interface	
	Durability (Touches)	36 million	

**Dimensions**

Unit: mm



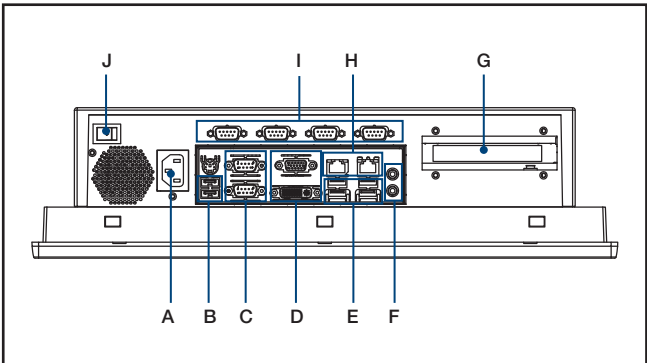
**Cut-out dimension:427 x 347 mm**

<b>Environment</b>	Operating Temperature	0 ~ 50°C (32 ~ 122°F)
	Storage Temperature	-40 ~ 60°C (-40 ~ 140°F)
	Relative Humidity	10 ~ 95% @ 40°C (non-condensing)
	Shock	Operating 10 G peak acceleration (11 ms duration), follow IEC 60068-2-27
	Vibration	Operating Random Vibration Test 5 ~ 500Hz, 1Grms @with HDD, follow IEC 60068-2-64
	EMC	CE, FCC Class A, BSMI
	Safety	CB, UL,CCC, BSMI
	Front Panel Protection	IP65 compliant

**Ordering Information**

Part No.	Description
PPC-8170-RI3AE	17" SVGA Panel PC w/Intel Corei3-3220, 5-Wire Touch, 6 COM, 6 USB, 2 LAN, 1 x PCIe or 1 x PCI expansion
PPC-8170-RI5AE	17" SVGA Panel PC w/Intel Core i5-3550S, 5-Wire Touch, 6 COM, 6 USB, 2 LAN, 1 x PCIe or 1 x PCI expansion
PPC-WLAN-B1E	Wi-Fi Module with Antenna Cable 40cm for PPC
PPC-174T-WL-MTE	Wall mount kits for PPC series
PPC-ARM-A03	PPC ARM VESA stand
PPC-Stand-A1E	Stand For PPC Series
1702002605	Power cord 2P FRANCE 10A/16A 220V 1.83M 90D
1702002600	Power Cord 3P UL/CSA (USA) 125V 10A 1.83M 180D
96CB-POWER-B-1.8M1	POWER CORD for China 1.8M
2070013998	Image WES7P 32-bit Multi V4.13 for PPC-8150/8170
2070014377	Image WES7P 64-bit Multi V4.14 for PPC-8150/8170
98R3415010E	98 Level For 9663415010E Front USB Cable 100cm
98R3612000E	mSATA/CFast to USB card reader

**I/O Placement**



- A. AC Power Input
- B.USB ports
- C. COM Ports
- D. VGA and DVI Ports
- E. USB Ports
- F. Line-out/Mic-in
- G. Riser Card Expansion
- H. LAN Ports
- I. COM Ports
- J. Power Switch