

AFL3-W15A-BT

Intel® Celeron® J1900 (Quad Core, 2.0 GHz)

AFL3-W15B-H81

Intel® Core™ i7/i5/i3, Pentium® and Celeron®

AFL3-W15C-ULT3

Intel® Core™ i5 and Celeron® ULT Processor



Features

- W15" light industrial interactive panel PC
- 9 V ~ 30 V wide range DC power input
- Selectable AT/ATX power mode
- Built-in speakers
- One mSATA slot
- IP64 compliant front panel
- IEI One Key Recovery solution allows you to create rapid OS backup and recovery (suggested with over 4GB storage capacity)



Specifications

Model		AFL3-W15A-BT	AFL3-W15B-H81	AFL3-W15C-ULT3
LCD	Size	15.6"		
	Resolution	1366 x 768 (16:9)		
	Brightness (cd/m ²)	400		
	Contrast Ratio	500:1		
	LCD Color	16.2M		
	Pixel Pitch (mm)	0.240 (H) x 0.240 (V)		
	Viewing Angle (H-V)	170° / 160°		
	Backlight MTBF(hrs)	50000 (LED backlight)		
Touch	Touch Screen	5-wire resistive type with RS-232 interface / projected capacitive type with USB interface		
	Touch Controller	PenMount DMC9000 / EETI EXC3188	PenMount DMC9000 / EETI EXC7200	PenMount DMC9000 / EETI EXC3188
Motherboard	CPU	Intel® Celeron® J1900 (quad core, 2 GHz)	Intel® Core™ i7/i5/i3, Pentium®, Celeron® processor (TDP 35W)	6th Generation Intel® Core™ i5 and Celeron® on-board processor
	Chipset	Intel® H81		
	RAM	One 204-pin 1333 MHz single-channel DDR3L SDRAM, 2GB pre-installed (system max. 8GB)	Two 204-pin 1333 MHz single-channel DDR3L SDRAM, 4GB pre-installed (system max. 16GB)	Two 260-pin 2133/1867 MHz dual-channel DDR4 SO-DIMMs (system max. 32 GB)
	Ethernet	2 x PCIe GbE by RTL8111E controller		
	Audio Codec	ALC892		
Storage	(1) 1 x mSATA (2) 1 x 2.5" SATA 3Gb/s HDD bay			(1) 1 x 2.5" SATA 3Gb/s HDD bay (2) 1 x M.2 M key PCIe storage (2280 or 22110) (3) 1 x mSATA slot
I/O Ports & Switch	1 x RS-232 COM port (RJ-45 connector) 1 x RS-232/422/485 COM port (DB-9 connector) (RI/5V/12V) 2 x USB 2.0 2 x USB 3.0 2 x GbE LAN 1 x Power switch 1 x Reset button 1 x AT/ATX switch 1 x Audio port (line-out) 1 x 9-30V lockable power jack	1 x RS-232 COM port (DB-9 connector) 1 x RS-232/422/485 COM port (DB-9 connector) (RI/5V/12V) 2 x GbE LAN 4 x USB 2.0 2 x USB 3.0 1 x HDMI output 1 x Power switch 1 x Reset button 1 x AT/ATX switch 1 x Audio port (line-out) 1 x 9-30V lockable power jack	1 x RS-232 by DB-9 (RI/5V/12V) 1 x RS-232/422/485 by DB-9 (RI/5V/12V) 2 x GbE LAN 4 x USB 3.0 1 x HDMI output 1 x Power switch 1 x Reset button 1 x AT/ATX switch 1 x 9-30V lockable power jack	
E-Window Expansion	Yes, optional	N/A	Yes, optional	
Audio	AMP 3W + 3W (internal speakers)			
Camera and Microphone	2-megapixel with low light function, digital microphone			
Wireless & Bluetooth	IEEE 802.11a/b/g/n/ac (PCIe Mini slot)	IEEE 802.11a/b/g/n/ac, Bluetooth v4.0 (PCIe Mini slot)	IEEE 802.11a/b/g/n/ac, Bluetooth v4.0 (M.2 slot)	
OSD Function	Software OSD			
Physical	Front Panel Construction	PC + ABS Plastic		
	Mounting	Panel, Wall, Rack, Stand and Arm VESA 75mm x 75mm / 100mm x 100mm		
	Color	Black C		
	Dimensions (WxHxD) (mm)	396 x 250 x 53	396 x 250 x 59	396 x 250 x 64
	Cut-out Dimensions (WxH) (mm)	273 x 226	369 x 226	369 x 226
Net/Gross Weight (kgs)	3.3/5.6	3.74/5.74	4.5/6.5	
Environment	Operating Temperature (°C) (Ambient with air flow)	-20°C~50°C	0°C~50°C	-20°C~50°C
	Storage Temperature (°C)	-20°C~60°C		
	Humidity	10% to 95% (non-condensing)		
	IP Level	IP 64 compliant front panel		
	Safety & EMC	CE / FCC		
Thermal Solution	Fanless	Smart Fan	Fanless	
Power	Power Requirement	9 V ~ 30 V		
	Power Consumption	12V@4.16A (Intel® J1900 CPU with 2GB 1333 MHz DDR3 memory)	12V@6.33A (Intel® Pentium® G3320TE CPU with 4GB 1333 MHz DDR3L memory)	12V@.6A (Intel® Core™ i5-6300U CPU with 4GB DDR4 2133 MHz DDR4 memory)

Ordering Information

● Intel® Celeron® Platform

Part No.	Description
AFL3-W15A-BT-J1/PC/2G-R12	Wide 15.6" 400 cd/m ² 1366 x 768 fanless panel PC with Intel® Celeron® J1900 quad core 2 GHz, 802.11a/b/g/n/ac, projected capacitive touch screen, 2GB DDR3L RAM, 2-megapixel camera, microphone, R12
AFL3-W15A-BT-J1/R/2G-R12	Wide 15.6" 400 cd/m ² 1366 x 768 fanless panel PC with Intel® Celeron® J1900 quad core 2 GHz, 802.11a/b/g/n/ac, resistive touch window, 2GB DDR3L RAM, 2-megapixel camera, microphone, R12

● Intel® H81 Platform

Part No.	Description
AFL3-W15B-H81-P/R/4G-R10	Wide 15.6" 400 cd/m ² 1366 x 768 panel PC with Intel® H81 chipset, Intel® Pentium® G3320TE dual-core processor (2.3 GHz), TDP 35W, two 2GB DDR3 RAM, 802.11a/b/g/n/ac, resistive touch screen, 2-megapixel camera, microphone, R10
AFL3-W15B-H81-i3/R/4G-R10	Wide 15.6" 400 cd/m ² 1366 x 768 panel PC with Intel® H81 chipset, Intel® Core™ i3-4330TE dual-core processor (2.4 GHz), TDP 35W, two 2GB DDR3 RAM, 802.11a/b/g/n/ac, resistive touch screen, 2-megapixel camera, microphone, R10
AFL3-W15B-H81-i5/R/4G-R10	Wide 15.6" 400 cd/m ² 1366 x 768 panel PC with Intel® H81 chipset, Intel® Core™ i5-4570TE dual-core processor (2.7 GHz), TDP 35W, two 2GB DDR3 RAM, 802.11a/b/g/n/ac, resistive touch screen, 2-megapixel camera, microphone, R10
AFL3-W15B-H81-P/PC/4G-R10	Wide 15.6" 400 cd/m ² 1366 x 768 panel PC with Intel® H81 chipset, Intel® Pentium® G3320TE dual-core processor (2.3 GHz), TDP 35W, two 2GB DDR3 RAM, 802.11a/b/g/n/ac, PCAP touch screen, 2-megapixel camera, microphone, R10
AFL3-W15B-H81-i3/PC/4G-R10	Wide 15.6" 400 cd/m ² 1366 x 768 panel PC with Intel® H81 chipset, Intel® Core™ i3-4330TE dual-core processor (2.4 GHz), TDP 35W, two 2GB DDR3 RAM, 802.11a/b/g/n/ac, PCAP touch screen, 2-megapixel camera, microphone, R10
AFL3-W15B-H81-i5/PC/4G-R10	Wide 15.6" 400 cd/m ² 1366 x 768 panel PC with Intel® H81 chipset, Intel® Core™ i5-4570TE dual-core processor (2.7 GHz), TDP 35W, two 2GB DDR3 RAM, 802.11a/b/g/n/ac, PCAP touch screen, 2-megapixel camera, microphone, R10

● Intel® Skylake ULT3 Platform

Part No.	Description
AFL3-W15C-ULT3-C/R/4G-R10	Wide 15.6" 400 cd/m ² 1366 x 768 panel PC with with Intel® 14nm 6th generation mobile Celeron® 3955U (15W) on-board processor (ULT), one 4GB DDR4 RAM, 802.11a/b/g/n/ac Wi-Fi module, resistive touch, 2-megapixel camera, microphone, R10
AFL3-W15C-ULT3-i5/R/4G-R10	Wide 15.6" 400 cd/m ² 1366 x 768 panel PC with Intel® 14nm 6th generation mobile Core™ i5-6300U (15W) on-board processor (ULT), one 4GB DDR4 RAM, 802.11a/b/g/n/ac Wi-Fi module, resistive touch, 2-megapixel camera, microphone, R10
AFL3-W15C-ULT3-C/PC/4G-R10	Wide 15.6" 400 cd/m ² 1366 x 768 panel PC with with Intel® 14nm 6th generation mobile Celeron® 3955U (15W) on-board processor (ULT), one 4GB DDR4 RAM, 802.11a/b/g/n/ac Wi-Fi module, PCAP touch, 2-megapixel camera, microphone, R10
AFL3-W15C-ULT3-i5/PC/4G-R10	Wide 15.6" 400 cd/m ² 1366 x 768 panel PC with Intel® 14nm 6th generation mobile Core™ i5-6300U (15W) on-board processor (ULT), one 4GB DDR4 RAM, 802.11a/b/g/n/ac Wi-Fi module, PCAP touch, 2-megapixel camera, microphone, R10

Options

Item	AFL3-W15A-BT	AFL3-W15B-H81	AFL3-W15C-ULT3
Panel Mounting Kit	AFL3PK-W15A-R10	AFL3PK-W15A-R10	AFL3PK-W15A-R10
Wall Mounting Kit	AFLWK-19B		
Rack Mounting Kit	AFL3RK-W15A-R11	AFL3RK-W15B-R10	AFL3RK-W15B-R10
Arm	ARM-11-RS/ARM-31-RS		
Stand	STAND-A21-R10/ STAND-210-R11/STAND-A19-RS/STAND-C19-R10		
Magnetic Card Reader	AFL3P-W10MSR-U-R10		
Barcode Scanner	AFL3-2D-R10		
RFID Reader (13.56 MHz Mifare Type) (for ATO assembly)	AFL3-MF-RFID-KIT02-R10**	AFL3-MF-RFID-KIT02-R10	AFL3-MF-RFID-KIT02-R10
*OS: Win 7 Embedded (64-bit)	AFL3-W07A-BT-WES7P64-R11 (for PCAP touch) AFL3-W07A-BT-WES7E64-R11 (for resistive touch)	AFL3-W15B-H81-WES7P64-R10 (for PCAP touch) AFL3-W15B-H81-WES7E64-R10 (for resistive touch)	AFL3-W15C-ULT3-WES7P64-R10 (for PCAP touch) AFL3-W15C-ULT3-WES7E64-R10 (for resistive touch)
*OS: Win 8 Embedded (64-bit)	AFL3-W07A-BT-WE8S64-R10	N/A	N/A
*OS: Win 10 IoT Enterprise (64-bit)	AFL3-W07A-BT-W10E64-R10	AFL3-W15B-H81-W10E64-R10	AFL3-W15C-ULT3-W10E64-R10

**RFID is supported after AFL3-xxA-BT R11 version

*OS image with CD-ROM without storage

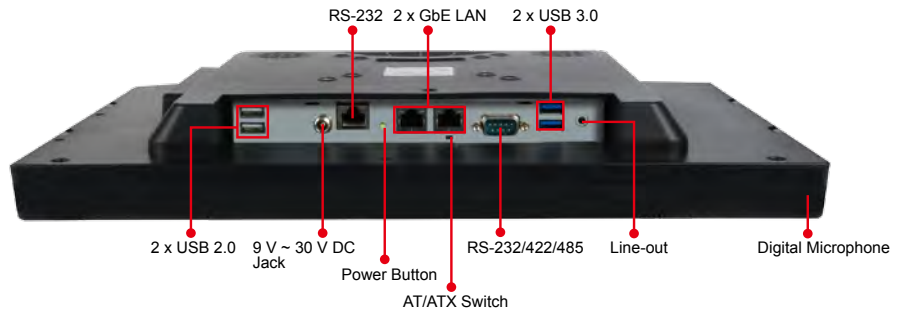
E-Window (for ATO assembly)

Part No.	Description	Supported Model
E-MPCIE-LAN-R10	PCIe Mini card supports 1-port GbE with Realtek RTL8111E controller, with PMS 194C I/O bracket and 250mm cable, R10	AFL3-W15A-BT-J1/PC/2G-R12 AFL3-W15A-BT-J1/R/2G-R12 AFL3-W15C-ULT3-C/R/4G-R10 AFL3-W15C-ULT3-i5/R/4G-R10 AFL3-W15C-ULT3-C/PC/4G-R10 AFL3-W15C-ULT3-i5/PC/4G-R10
E-MPCIE-DLAN-R10	PCIe Mini card supports 2-port GbE with Intel I211 controller, with PMS 194C I/O bracket and 250mm cable, R10	AFL3-W15A-BT-J1/PC/2G-R12 AFL3-W15A-BT-J1/R/2G-R12
E-MPCIE-CCLink-R10	PCIe Mini card supports CC-Link Slave interface according to V2.0 and V1.1, with PMS black C I/O bracket and 250mm cable, R10	
E-MPCIE-PROFIBUS-R10	PCIe Mini card supports universal PROFIBUS DP card for Master or Slave, with PMS black C I/O bracket and 250mm cable, R10	AFL3-W15C-ULT3-i5/R/4G-R10 AFL3-W15C-ULT3-C/PC/4G-R10 AFL3-W15C-ULT3-i5/PC/4G-R10
E-MPCIE-EtherCAT-R10	PCIe Mini card supports universal Real-Time Ethernet protocols, with PMS black C I/O bracket and 280mm cable, R10	
E-MPCIE-3G-R10	PCIe Mini card supports 3G WWAN module, with PMS 130C I/O bracket, RF antenna 300mm cable and GSM antenna cable, R10	

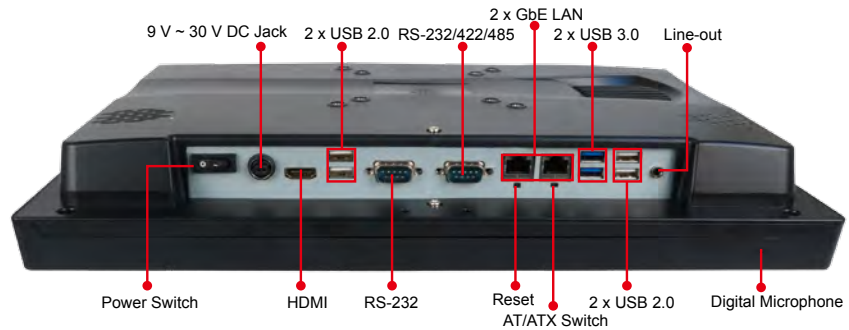
Packing List

Item	Part No.	Q'ty	Description
One Key Recovery DVD	7B000-001083-RS	1	
Round head machine screw	44003-020041-RS (W15A-BT/15B-H81)	4	M2*4 round head machine screw
Pan head machine screw	44403-040061-RS	4	M4*6 pan head machine screw
Fix holder	46003-009500-RS	2	
Power cord	32702-000200-100-RS	1	
Power adapter	63040-010060-120-RS (W15A-BT)	1	60W; Vin: 90V~264V AC; Vout: 12VDC
	63040-010096-100-RS	1	96W; Vin: 90V~264V AC; Vout: 12VDC
Driver CD		1	
RJ-45 to DB-9 COM port transfer cable	32005-000200-200-RS (W15A-BT)	1	300mm, 26AWG, (A) D-SUB 9 male, (B) RJ-45
Touch pen	43125-0002C0-00-RS	1	Resistive touch screen only

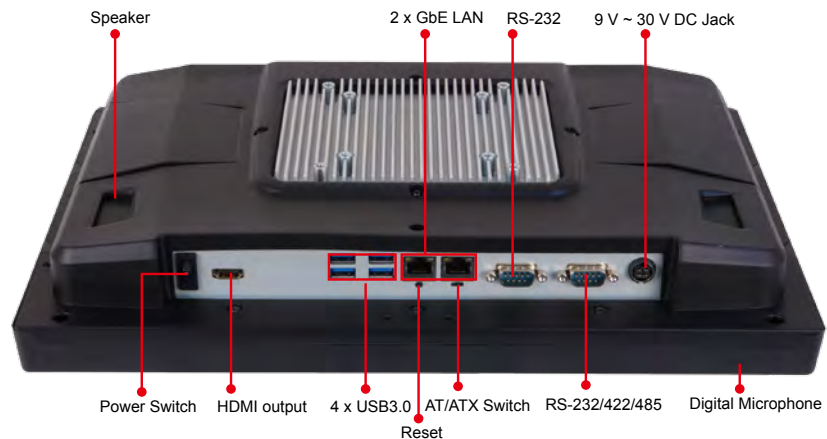
AFL3-W15A-BT Fully Integrated I/O



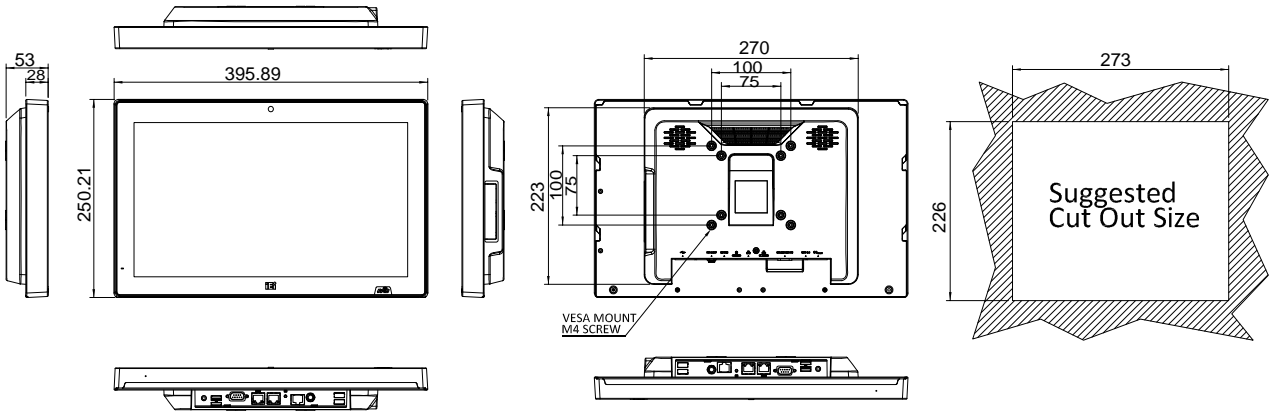
AFL3-15B-H81 Fully Integrated I/O



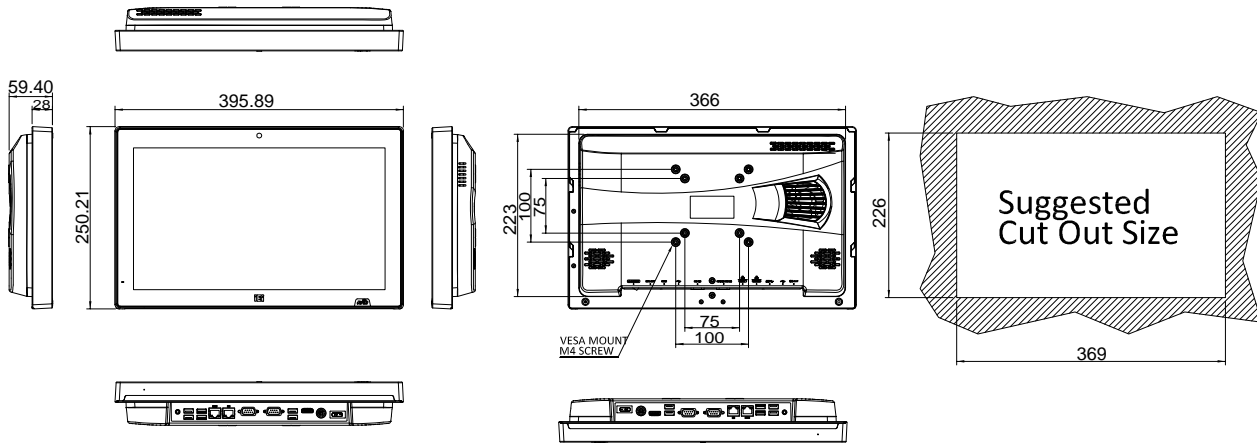
AFL3-W15C-ULT3 Fully Integrated I/O



AFL3-W15A-BT
Dimensions (Unit: mm)



AFL3-W15B-H81
Dimensions (Unit: mm)



AFL3-W15C-ULT3
Dimensions (Unit: mm)

