



## Features

- Zone 2 certified for hazardous area application
- Robust aluminum with IP 64 compliant front bezel design
- 5-wire resistive touch
- Intel® Atom™ D525 1.8GHz dual-core CPU with fanless design
- 15" 400 nits LED backlight panel with 1024 x 768 resolution
- Two USB 3.0, two USB 2.0 and five COM ports available
- Flexible expansion interface (two PCI slots or one PCI slot + one PCIe slot)
- Dual (10/100/1000BASE-T(X)) gigabit LAN port



## Specifications

Model		PPC-5152-D525-E/R/1G-R10
Display	LCD Size	15"
	Max Resolution	1024(W) x 768(H)
	Brightness (cd/m <sup>2</sup> )	400
	Contrast Ratio	500:1
	LCD Color	16.2M
	Pixel Pitch (mm) (HxV)	0.1095 (H) x 0.1095 (V)
	Viewing Angle (V/H)	160° / 140°
	Backlight MTBF (hrs)	50,000
Touch	Touchscreen & Controller	5-wire resistive type with RS-232 interface / DMC 9000
	Hardness	≥3H (follows JIS K 5600 standard, uses Mitsubishi Pencil 500g)
Motherboard	SBC	PPCMB-5152A-D525
	CPU	Intel® Atom™ D525 processor (dual-core, 1.8 GHz)
	Chipset	Intel® ICH8M
	RAM	1 x 204-pin 1GB DDR3 SO-DIMM slot (system max. 4GB)
	Ethernet	Realtek RTL8111E PCIe GbE controller supporting ASF 2.0
I/O Ports and Switches		2 x RS-232 (DB-9 connector) 1 x RS-232 or RS-422/485 (DB-9 connector) 2 x RS-422/485 (RJ-45 connector) 2 x USB 2.0 connector 2 x USB 3.0 connector VGA port (DB-15 connector) AT/ATX switch 2 x RJ-45 Gigabit LAN Reset button
Drive Bay	HDD Drive Bay	One 2.5" SATA HDD/SSD bay
	SSD	CF Type II socket
Physical	Front Panel Construction	Aluminum
	Chassis Construction	Heavy duty steel (SECC)
	Mounting	Panel, wall, rack, stand and arm (VESA 100 mm x 100 mm)
	Front Panel Color	Silver, Pantone PMS 8401C
	Dimensions (WxHxD) (mm)	422 x 331 x 80
	Cut Out Dimensions (WxH) (mm)	390 x 290
Net/Gross Weight		6.5 kg/7.0 kg
Expansion Slot		Two PCI slots or one PCI slot plus one PCIe x1 slot
System Cooling		Burglar-proof internal USB 2.0 port Fanless
Environment	Operating Temperature	-20°C ~ 50°C
	Storage Temperature	-30°C ~ 80°C
	Vibration	MIL-STD-810F 514.5C-2 (with CF card or SSD)
	Shock	Half-sine wave shock 3G; 11ms; 3 shocks per axis
	IP level	IP 64 compliant front panel
	Safety & EMC	CE / FCC / C1D2
Power	Power Adapter	DSP 90W power adapter (FSP090-D2BA1) Input: 100VAC~240VAC, 50/60Hz Output: 19V DC
	Power Requirement	9~36V DC jack
	Consumption	50W without add-on card

## Ordering Information

	Part No.	Description
<b>15"</b>	<b>PPC-5152-D525-E/R1G-R10</b>	15" 400 cd/m <sup>2</sup> XGA fanless panel PC, Intel® Atom™ D525 1.8GHz CPU, 1GB DDR3 RAM, silver color, touchscreen, ANSI C1D2 SKU
<b>Riser Card</b>	<b>PPCDB-PCI/PCI-E-R10</b>	Riser card with PCI and PCIe interfaces for PPC-5152-D525-E, R10
	<b>PPCDB-PCI-R10</b>	Riser card with two PCI interfaces for PPC-5152-D525-E, R10

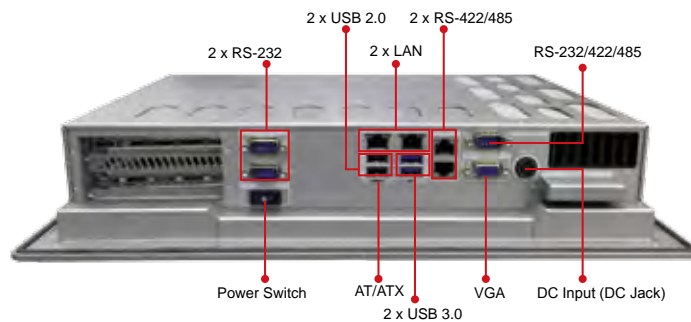
## Options

Item	P/N	Description
Panel Mounting Kit	PK-170M	
Wall Mounting Kit	WK-190MS-R10	
Rack Mounting Kit	RK-150MS2-R10	
Arm	ARM-11-RS/ARM-31-RS	
Stand	STAND-A19-RS/STAND-A21-R10/ STAND-210-R11	
OS: Win XPE (4GB CF Card)	PPCCF-5152-D525-XPE-4G-R10	
OS: Win 7 Embedded (4GB CF Card)	PPCCF-5152-D525-WES7E-4G-R10	

## Packing List

Item	P/N	Q'ty	Description
Utility CD	7B000-000732-RS	1	Drivers and user manual
One Key Recovery CD		1	
VESA Mounting Screw	44033-040062-RS	4	M4*6 for securing stand bracket
Chassis Screw	44013-030041-RS	4	M3*4 chassis screw for backup
Capture Card Screw	44003-030062-RS	4	M3*5 capture card screw for backup
VESA Fastener	19Z00-000024-RS	6	
HDD Screw	44043-030051-RS	4	
Pluggable DC-in Terminal Block	33101-000897-RS	1	
RJ-45 to DB-9 COM Port Cable	32005-000700-100-RS	2	
Touch Pen	43125-0002C0-00-RS	1	
IR Remote Controller	7Z000-SLPCB005-RS	1	
Power Adapter	63040-010090-100-RS	1	FSP090-DIEBN2, 90V~264V AC input, 90W, 19V DC output
Power Cord	32702-000401-100-RS	1	1500 mm, european standard
Power Transfer Cord	32702-000300-100-RS	1	

## PPC-5152-D525-E Fully Integrated I/O



## PPC-5152-D525-E Dimensions (Unit: mm)

