

TANK-700-QM67 720-Q67

- Intel® 2nd Gen Core™ Mobile Processor
- Intel® 2nd Gen Core™ Desktop Processor

High Performance Fanless Embedded System with 2nd Generation Intel® Core™ i7/i5/i3 Processor

Combo Gigabit LAN (SFP Fiber/RJ-45)



Features

- 2nd Gen Intel® Core™ i7/i5/i3 or Celeron® mobile processors for TANK-700
- 2nd Gen Intel® Core™ i5/i3 Pentium® and Celeron® desktop processors for TANK-720
- Intel® HD graphics supports H.264/AVC-MPEG2/VC1, DirectX 10.1 and OpenGL 3.0
- On-board 2GB DDR3 memory and one DDR3 SO-DIMM slot (system max. 10 GB)
- Dual combo (10/100/1000 BASE-T(X) or 1000 baseSFP slot RJ-45 port) Gigabit LAN ports, supporting Intel® AMT 7.0
- Supports 8-channel audio/video capture and dual display by VGA and HDMI
- Dual-band 2.4/5 GHz 802.11a/b/g/n 3T3R MIMO Wi-Fi for high speed wireless transmission



8-Channel Audio/Video Capture Solution

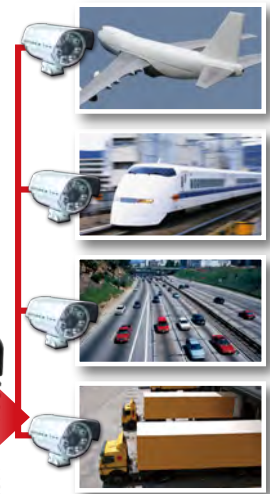
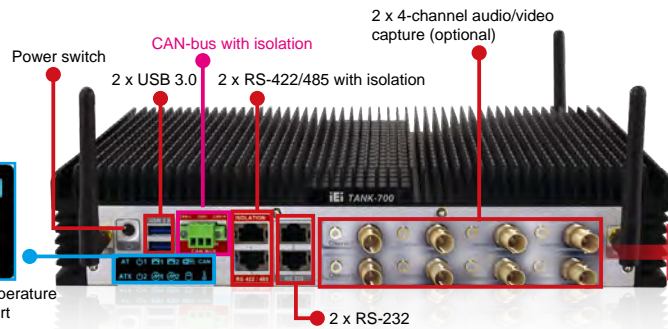
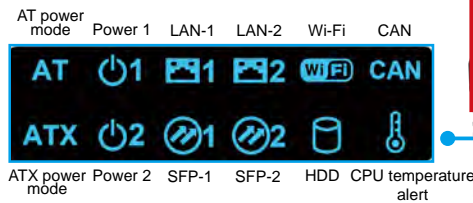
With an H.264 codec, the TANK-700/720 series is capable of compressing and decompressing Full HD (1920x1080) video in real-time without increasing CPU loadings. By supporting real-time recording, previewing, and HD video transmission through surveillance devices, the TANK-700/720 series is suitable as an intelligent monitoring system and transportation intelligent scheduling system solution.

2 x 4-channel audio/video capture (system model name: IVCS-7008)

Fully Integrated I/O

Power switch and LED

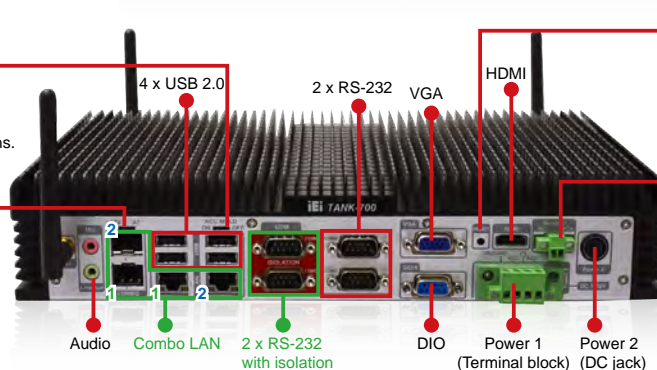
1. Long-press 3 sec. to power on
2. Long-press 6 sec. to power off



ACC on/off
ACC on mode is designed for vehicle applications. Use the ACC signal to control power on/off.



AT/ATX mode
Users can select a suitable mode according to the application.



Reset
The reset button forces the system to be reset when system hangs up.

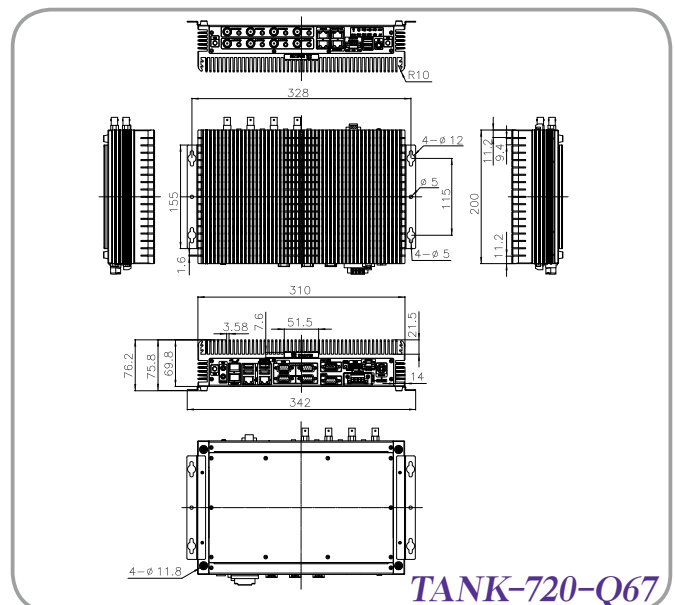
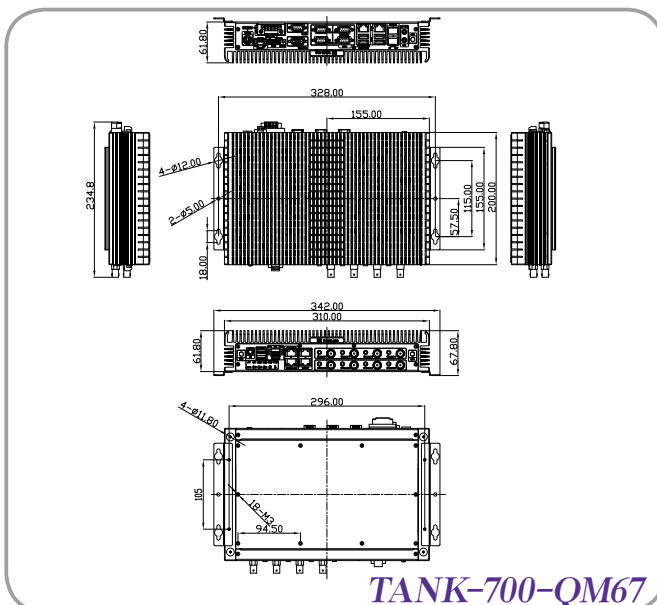


Remote control
Users can power on/off the system by inputting low or high voltage into the terminal block.
High (2 V-5 V): Power off
Low (< 0.4 V): Power on

Specifications

Model Name		TANK-700-QM67	TANK-720-Q67
Chassis	Color	Black C + Silver	Blue C + Silver
	Dimensions (WxDxH) (mm)	310 x 200 x 62	310 x 200 x 70
	System Fan	Fanless	Fanless
	Chassis Construction	Extruded aluminum alloys	Extruded aluminum alloys
Motherboard	CPU	Intel® Core™ i5-2xxE (above 2.5 GHz) Intel® Core™ i3-2xxE (above 2.2 GHz) Intel® Celeron® B8xx (above 1.6 GHz)	Intel® Core™ i5-2xxT (above 2.7 GHz) Intel® Core™ i3-2xxT (above 2.5 GHz) Intel® Pentium® G6xxT (above 2.2 GHz)
	Chipset	Intel® QM67	Intel® Q67
	System Memory	On-board DDR3 2 GB memory 1 x 204-pin DDR3 SO-DIMM (system max: 10 GB)	On-board DDR3 2 GB memory 1 x 204-pin DDR3 SO-DIMM (system max: 10 GB)
Storage	Hard Drive	2 x 2.5" SATA 3Gb/s HDD/SSD bay	1 x SATA 3Gb/s with 2.5" HDD/SSD support 1 x SATA 6Gb/s with 2.5" HDD/SSD support
I/O Interfaces	USB 3.0	2	2
	USB 2.0	4	4
	Ethernet	2 x Combo (SFP Fiber/RJ-45) 1 x PCIe GbE by Intel® 82579 1 x PCIe GbE by Intel® 82583V	4 x RS-232 (DB-9, 2 x w/ isolation) 2 x RS-232 (RJ-45, with isolation) 1 x PCIe GbE by Intel® 82583V
	Fiber	2 x Combo (SFP Fiber/RJ-45)	2 x Combo (SFP Fiber/RJ-45)
	COM Port	4 x RS-232 (DB-9, 2 x w/ isolation) 2 x RS-232 (RJ-45, w/ isolation) 2 x RS-422/485 (RJ-45, with isolation)	4 x RS-232 (DB-9) 2 x RS-232 (RJ-45, with isolation) 2 x RS-422/485 (RJ-45, with isolation)
	Digital I/O	8-bit digital I/O, 4-bit input/4-bit output	8-bit digital I/O, 4-bit input/4-bit output
	CAN-bus	1 x Phoenix terminal block	1 x Phoenix terminal block
	Display	1 x VGA, 1 x HDMI	1 x VGA, 1 x HDMI
	Resolution	VGA: Up to 2048 x 1536@75Hz HDMI: Up to 1920 x 1200@60Hz	VGA: Up to 2048 x 1536@75Hz HDMI: Up to 1920 x 1200@60Hz
	Audio	1 x Line-out, 1 x Mic-in	1 x Line-out, 1 x Mic-in
	Wireless	1 x 802.11a/b/g/n 3T3R (optional)	1 x 802.11a/b/g/n 3T3R (optional)
	Other	Optional 4-channel audio/video input PCIe Mini Card	Optional 4-channel audio/video input PCIe Mini Card
	Expansions	PCIe Mini	3 x Full-size PCIe Mini
Power	Power Input	DC Jack: 10.5 V~36 V DC Terminal Block: 9 V~36 V DC	DC Jack: 10.5 V~36 V DC Terminal Block: 9 V~36 V DC
	Power Consumption	19 V@3.3 A (Intel® Core™ i5-2540M with 4 GB DDR3 Memory)	19 V@3.1 A (Intel® Core™ i3-2100T with 4 GB DDR3 Memory)
Reliability	Mounting	Wall mount	Wall mount
	Operating Temperature	-20°C ~70°C with air flow (SSD), 5% ~ 95%, non-condensing	-20°C ~50°C with air flow (SSD), 5% ~ 95%, non-condensing
	Operating Shock	Half-sine wave shock 5G, 11ms, 3 shocks per axis	Half-sine wave shock 5G, 11ms, 3 shocks per axis
	Operating Vibration	MIL-STD-810F 514.5C-2 (with SSD)	MIL-STD-810F 514.5C-2 (with SSD)
	Weight (Net/Gross)	3.8 kg/6.5 kg	4.2 kg/6.9 kg
	Safety/EMC	CE/FCC	CE/FCC
OS	Supported OS	Microsoft® Windows® Embedded Standard 7 E, Microsoft® Windows® XP Embedded	Microsoft® Windows® Embedded Standard 7 E, Microsoft® Windows® XP Embedded

Dimensions (Unit: mm)



Ordering Information

TANK-700 series

Part No.	Description
TANK-700-QM67-I5/2G-R22	Embedded System Active Fanless embedded system, Core™ i5 Dual Core 2xxE CPU (Above 2.5 GHz), TDP 35W, 2GB DDR3 on board memory, VGA/HDMI, USB 3.0, 2 x SATA 3.0, SFP Fiber, Isolated CAN, Audio, 9 V-36 V DC input, -20°C~70°C, RoHS
TANK-700-QM67-I3/2G-R22	Embedded System Active Fanless embedded system, Core™ i3 Dual Core 2xxE CPU (Above 2.2 GHz), TDP 35W, 2GB DDR3 on board memory, VGA/HDMI, USB 3.0, 2 x SATA 3.0, SFP Fiber, Isolated CAN, Audio, 9 V-36 V DC input, -20°C~70°C, RoHS
TANK-700-QM67-C/2G-R22	Embedded System Active Fanless embedded system, Celeron® Dual Core B8xx CPU (Above 1.6 GHz), TDP 35W, 2GB DDR3 on board memory, VGA/HDMI, USB 3.0, 2 x SATA 3.0, SFP Fiber, Isolated CAN, Audio, 9 V-36 V DC input, -20°C~70°C, RoHS

TANK-720 series

Part No.	Description
TANK-720-Q67-I5/2G-R21	Fanless embedded system, Intel® Core™ i5 dual-core 2xxT CPU (above 2.7 GHz, TDP 35 W), 2 GB DDR3 on-board memory, VGA/HDMI, USB 3.0, two SATA 6Gb/s, SFP fiber, isolated CAN, audio, 9 V-36 V DC input, -20°C~50°C, R21, RoHS
TANK-720-Q67-I3/2G-R21	Fanless embedded system, Intel® Core™ i3 dual-core 2xxT CPU (above 2.5 GHz, TDP 35 W), 2 GB DDR3 on-board memory, VGA/HDMI, USB 3.0, two SATA 6Gb/s, SFP fiber, isolated CAN, audio, 9 V-36 V DC input, -20°C~50°C, R21, RoHS
TANK-720-Q67-P/2G-R21	Fanless embedded system, Intel® Pentium® dual-core G6xxT CPU (above 2.2 GHz, TDP 35 W), 2 GB DDR3 on-board memory, VGA/HDMI, USB 3.0, two SATA 6Gb/s, SFP fiber, isolated CAN, audio, 9 V-36 V DC input, -20°C~50°C, R21, RoHS

Options

Options	Part No.	Description
Gigabit Ethernet SFP Module	SFP1G-SX-I	1Gbps SFP optical transceiver, multi-mode/550m, 850nm (0°C ~ 70°C)/industrial grade (-20°C ~ 85°C)
	SFP1G-MLX-I	1Gbps SFP optical transceiver, multi-mode/2Km, 1310nm (0°C ~ 70°C)/industrial grade (-40°C ~ 85°C)
	SFP1G-LX10-I	1Gbps SFP optical transceiver, single-mode/10Km, 1310nm (0°C ~ 70°C)/industrial grade (-40°C ~ 85°C)
	SFP1G-XD50-I	1Gbps SFP optical transceiver, single-mode/50Km, 1550nm (0°C ~ 70°C)/industrial grade (-40°C ~ 85°C)
Fiber Cord	FPC-LCLC-MM3M	Optical connector LC/LC, multi-mode, diameter 62.5/125 μm, length 3m
Fiber Cord	FPC-SCSC-SS3M	3m length cable with SC to SC connector (single mode, 9/125μm)
Wi-Fi Kit	EMB-WIFI-KIT03-R10	3T3R Wi-Fi module kit for embedded system, IEEE 802.11a/b/g/n, 1 x Wi-Fi module, 3 x RF cable, 3 x Antenna, RoHS
OS: XP	TANK-700-QM67-XPE-R10	OS Image with XPE, For TANK-700 QM67 Series, with CDROM, RoHS
	TANK-720-Q67-XPE-R10	OS Image with XPE, For TANK-720 Q67 Series, with DVDROM, R10
OS: Windows Embedded 7	TANK-700-QM67-WES7E-R10	OS Image with Windows® Embedded Standard 7 E for TANK-700 QM67 Series, CD-ROM, RoHS
	TANK-720-Q67-WES7E-R10	OS Image with Windows® Embedded Standard 7 E for TANK-720 Q67 Series, DVD-ROM, R10

Packing List

Item	Qty	Description
Pluggable DC-in Terminal Block	1	4-pin
Pluggable CAN-bus Terminal Block	1	3-pin
Pluggable Remote Control Terminal Block	1	2-pin
RJ-45 to DB-9 COM Port Cable	4	Round cable, RS-232/422/485, RS-232 cable, 2, 300mm, 26AWG, (A)D-SUB 9P male, (B)RJ-45 8P8C+SHELL, RoHS
Power Cord Convert Cable	1	Convert normal type cord to triangle type cord cable
Power Cord	1	1500 mm, European Standard
Power Adapter	1	FSP090-DIEBN2, 90 V~264 V AC input, 90 W, 19 V DC output, ERP, 4-pin DIN
Mounting Bracket	2	
Mounting Bracket Screws	8	M3*6 mounting bracket screws
Chassis Screw	8	M3*4 chassis screws for backup
One Key Recovery CD	1	DVD-ROM disk for One Key Recovery, RoHS
Utility CD	1	Drivers and user manual