

Rugged Handheld Device 7"

M700DM8-4E

Product Features:

- ARM® Cortex™ -A53 Octa-core 1.3Ghz
- 7" (1280 x 720) TFT LCD Display
- IP65 and 4ft drop MIL standard
- Projected Capacitive Multi-Touch Screen
- Built-in G-sensor and Light sensor
- WLAN 802.11 a/b/g/n, Bluetooth 4.0, GPS / AGPS / Glonass, 4G LTE
- 8.0M Rear Camera (with LED auxiliary light, Auto Focus)
- Android™ 5.1



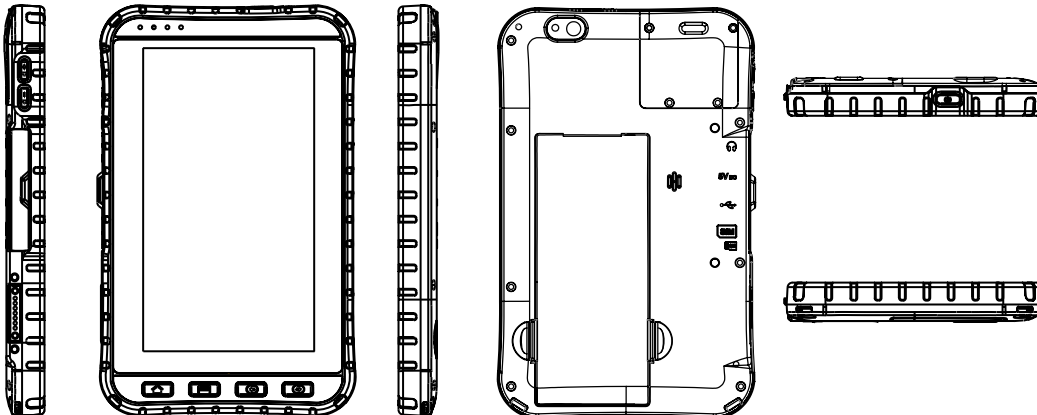
Product Specifications:

System Specification	Processor	ARM® Cortex™ -A53 Octa-core 1.3Ghz
	System Memory	2GB SDRAM LDDR3
	Storage	16GB eMMC
	Operating System	Android™ 5.1
Display Specification	Size	7"
	Resolution	1280 x 720
	Brightness	650 nit typ.
	Touch	Projected Capacitive Touch
Wireless Communication	WLAN	Support 802.11 a/b/g/n mode
	Bluetooth	Bluetooth 4.0 Support BLE mode + wide-band speech
	WWAN	GSM/GPRS/EDGE WCDMA/HSDAP/HSPUA FDD-LTE TDD-LTE
	GNSS	Built-in GPS module Support Glonass
	Mechanical and Environment	Dimensions (W x L x H)
Weight		550g
Operating Temperature		-20°C to 60°C (AC mode), -10°C to 50°C (Battery mode)
Operating Humidity		5% ~ 95% RH (non condensing)
IP Proof		IP65
Vibration		MIL-STD-810G Method 514.5
Drop		MIL-STD-810G Method 516.5, 4 ft, Free to concrete
Certifications		CE,FCC
I/O Connectors	External I/O	1 x Micro USB OTG
		1 x Headset jack (Mic+Earphone)
		1 x 2.5Ø 5V DC Power Input
1 x SIM Slot		
2 x Microphones		
1 x Micro SD Card Slot		
Internal Audio Device	1 x 1.2W Speaker	
Power Management	Power input	5V DC in
	Battery	3.7V 5300mAh Li-Poly
	Battery Operating Time	12 hours *
	Adapter	15W Adapter
Field Service Features	Camera	2MP Front Camera, 8MP Rear Camera
	NFC	Read/ Write mode Peer to Peer mode

*Note: Measured at dimming LCD brightness. Varies depending on the usage conditions, or when an external device is attached.

Dimensions :

Standard



Order Information:

M700DM8-4E	Support WWAN for EU / Asia
M700DM8-4EH	Support WWAN for EU / Asia + Hotswap battery