



Rugged Panel PC

WM-R15ID3S-VMA3(HB)

Product Features:

- » Ultra Low Atom D2550 1.86GHz Processor Fanless Design
- » High Quality 15" Panel, 1024*768 resolution, 400 nits (Optional for 1000 nits)
- » Front IP65 Dust/ Water proof design with VESA mount
- » Aluminum Housing with Anti-Corrosion Treatments
- » Built-in ambient Light sensor
- » Wide Range 9 to 36V DC Input
- » Optional 6-60V DC Input, and Optional for Ignition On/Off delay
- » 5 Wire Resistive Touch / Anti-Reflective Protection Glass (Optional)
- » Optional GPS, 3G/WLAN(Either one). Digital IO/Canbus(Either one)
- » Compliance With EN50155
- » Optional HB/Sunlight Readable up to 1000 nits

Product Specifications:

Display	Model Name	R15ID3S-VMA3(HB)
	Size	15"
	Resolution (pixels)	1024 x 768
	Number of Colors	16.2 M (8 bit) / 262K (6 bit)
	Brightness (cd/m ²)	400nits for R15ID3S-VMA3 Optional 1000nits for R15ID3S-VMA3HB (High Brightness)
	Contrast Ratio	700:1
	Viewing Angle	-80~80 (H) ; -70~70 (V)
	Active Area	304.1 (H) x 228.1 (V)
	Touch (optional)	5 Wire Resistive(Default)
	System	Processor
Chipset		Intel® NM10
BIOS		AMI 16Mbit Flash
Memory		1xDDR3 800/1066 MHz SO-DIMM Max. 4GB
Ethernet		Dual Broadcom BCM57780 GbE
Storage		2.5" SSD
Expansion Slot		1 x Mini PCIe slot (for wireless module) 1 x Mini PCIe slot (for SATA SSD)
Input / Output	2 x USB 2.0	
	1 x VGA	
	1 x RS-232	
	1 x RS-232 (Optional)	
	1 x RS-232/422/485	
	1 x 9~36V Terminal Block	
	1 x CanBus / Digital IO (Optional)	
Environment	Operating Temperature	-25 ~ 55°C
	Storage Temperature	-30 ~ 70°C
	Humidity	10 ~ 95% non-condensing
	Shock	MIL810F/EN50155
	Vibration	MIL810F/EN50155
	Power Input	9~36V DC in (Phoenix type) Optional 6-60V DC in, with Ignition On/Off delay
	Safety	Compliance with EN50155, MIL-STD 810F
Driver OS Support	Windows 7 embedded / Windows XP embedded	
Mechanical	Dimension(W x H x D)	398 x 308 x 58mm
	Approximate Weight	4.9 kg*
Packing List	ID32 Atom SBC User's Manual (ID32) SBC Manual & Driver CD	
	Product Optional Items	One robust bracket with locking handle (Can adjust from -5 deg. to 90 deg.)
	Sunlight Readable	Transflective film enhancement for optional
	Anti-reflective Glass	3 mm (Replace touch)
	WLAN / 3G	Either one
	GPS	USB interface
	Digital IO / Canbus	Either one

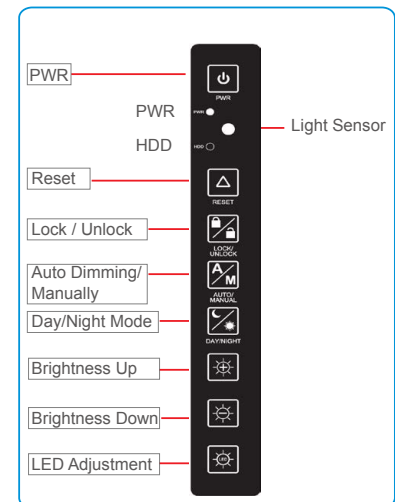


I / O View:



1. 9~36V Terminal Block
2. RS-232 (Optional)
3. RS-232
4. SIM Card Slot (Optional)
5. CanBus / DIO (Optional)
6. VGA
7. USB
8. RS-232/422/485
9. LAN

Front OSD Control Function:



Drawing w / Mounting bracket:

