

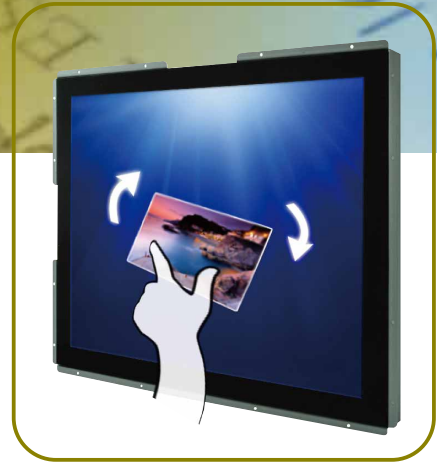
Multi-Touch LCD

15"

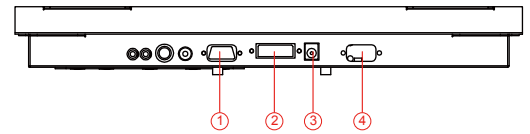
Specifications

RoHS
COMPLIANT
2011/65/EU

Model Name	R15L100-POC3
Viewable Size Image	15"
Active Display Area(mm)	304.1(H)x228.1(V)
Pixel Pitch(mm)	0.297(H)x0.297(V)
Number of Pixels	1024x768
Contrast Ratio	700:1(typ.)
Display Color	16.2M
Brightness(cd/m ²)	250(typ.)
Viewing Angle(CR>=10)	-80~80(H); -70~70(V)
Synchronization Range Horizontal/Vertical	31.5~60.0KHz/60~75Hz
Recommended Resolution	1024x768@60Hz,75Hz
Signal Connector	15 pin D-Sub
Power Source	12V DC in, with External AC to DC Adapter (100~240V AC)
Power Consumption	15W typical, normal operation
Power Management	VESA DPMS Compliant
Plug & Play	VESA DDC 1/2B
Optional Video Input	S-Video, Composite
Optional DVI Input	Yes
Touch Screen	Projected Capacitive Multi-Touch (P-CAP)

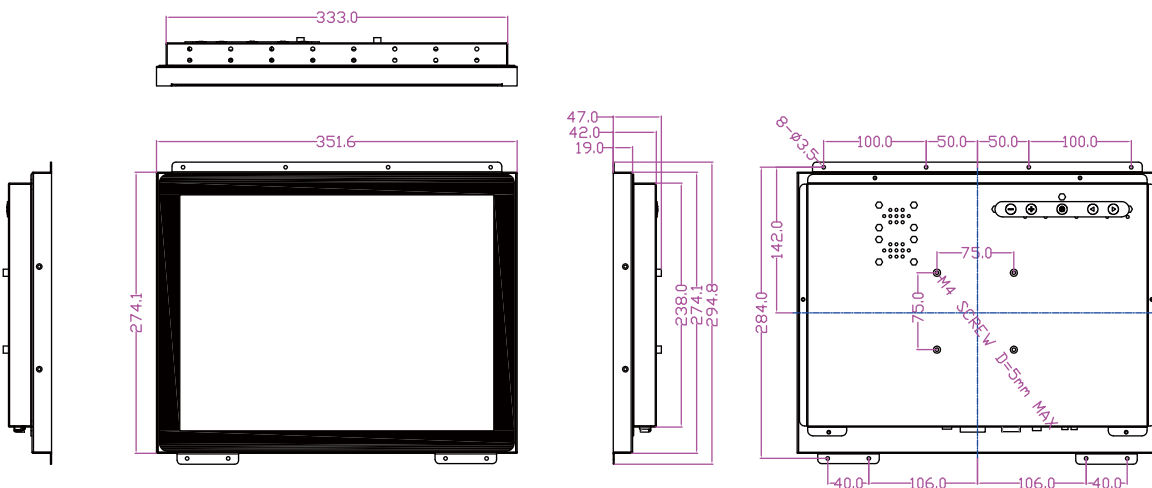


I/O Connector



1. VGA
2. DVI
3. 12V DC in
4. USB(Touch)

Mechanical Drawing



* Note: this is a simplified drawing and some components are not marked in detail. Please contact our sales representative if you need further product information.