

21.5" Fanless Full IP65/NEMA 4 Panel PC (Intel® 5th Generation Core™ i5 Platform)

MODEL #: W22IH3S-65A3

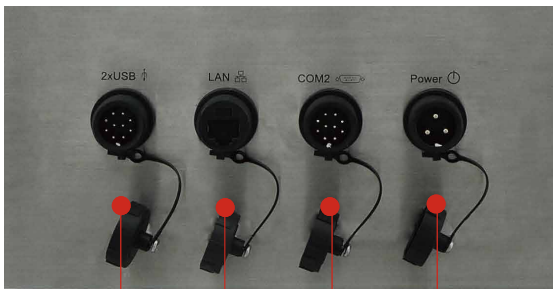
Mechanical Design



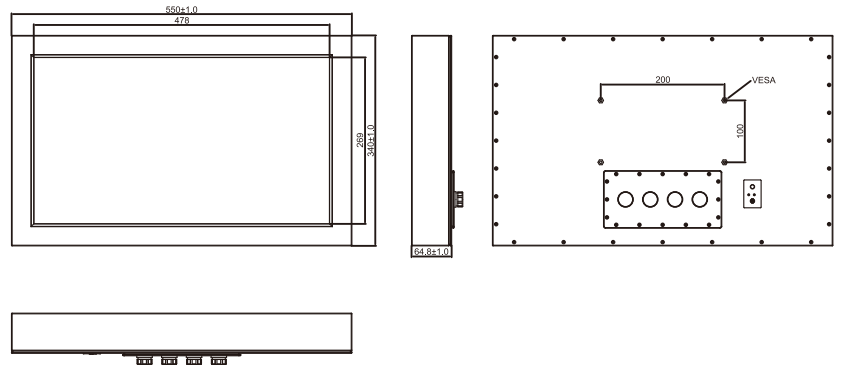
Features:

- Intel® Core™ i5-5200U Broadwell 2.2GHz (turbo to 2.7GHz)
- Fanless Design
- Full IP65 dust/water resistant
- Stainless Housing with Anti-Corrosion Treatment
- Optical Bonding with Anti-moisture Treatment (Optional)
- 5 Wire Resistive Touch/ Anti-Reflection Protection Glass (Optional)

IP65 connector / cable



2 x USB2.0 LAN COM2 Power



* Note: this is a simplified drawing and some components are not marked in detail. Please contact our sales representative if you need further product information.

System Specifications

TFT Characteristics

- Resolutions : 1920 x 1080
- Brightness : 250 cd/m² (typ.)
- Contrast Ratio : 1000 : 1 (typ.)
- Viewing Angles : -85~85(H); -80~80(V)
- Max Colors : 16.7M

SBC Specifications :

- Processor : Intel® Core™ i5-5200U Broadwell 2.2GHz (turbo to 2.7GHz)
- BIOS : AMI UEFI BIOS
- System Memory : 1 x DDR3L 1600MHz 4GB (Default) Max 16GB
- Graphic Chipset : Integrated Graphic
- Ethernet : 1000 Base-Tx Gigabit Ethernet
- USB : 2 x USB 2.0
- Serial : 1 x RS232
- SSD Interface : 1 x Mini PCIe SSD Default 64GB, Max 256GB
- Power Input : DC-IN

* A customized housing is needed if you would like to have more I/O connectors.

Power Specifications :

- Power Input : 12V DC IN (Lockable Power Jack)
- Power Consumption : 66W (typ.)(Max.backlight & high CPU load)

Accessories :

- External Power Supply 80W w/power cord

Environment Considerations :

- Operating Temperature : 0 deg.C to 45deg.C
- Operating Humidity : 30% to 90% (non condensing)

Input/ Output Connectors :

- Ethernet LAN : 1 X RJ45-10/100/1000 Mbps
- COM : 1 X RS232
- USB : 2 x USB 2.0
- Power : 1 X 12VDC

Order Options :

SBC	PANEL PC
RAM : SODIMM DDR3L Max. 16GB	Mechanical : Stainless Chassis
Storage : 2.5" HDD/ Mini Pcle SSD	Touch : 5 Wires Resistive(Optional)
	OS : Windows 10 IoT Enterprise Windows Embedded 8.1 Industry Pro Windows Embedded 8 Standard Windows Embedded 7 Standard

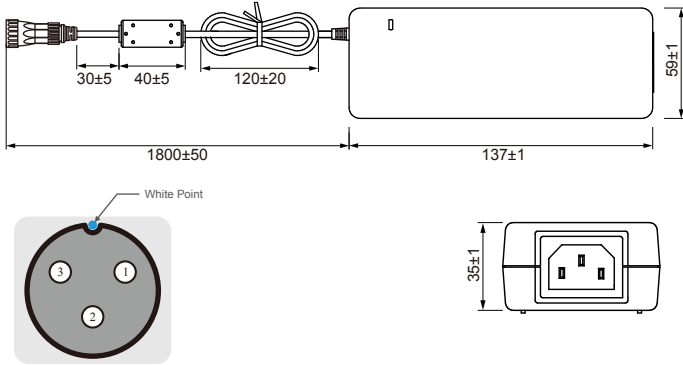


21.5" Fanless Full IP65/NEMA 4 Panel PC (Intel® 5th Generation Core™ i5 Platform)

MODEL #: W22IH3S-65A3

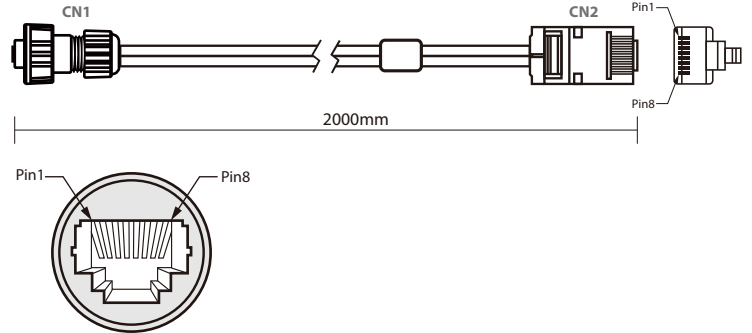
Pin Assignment of cables

Power Cable



Pin No.	Symbols	Color
CN1-3	GND	Black
CN1-2	shield	
CN1-1	VCC	White

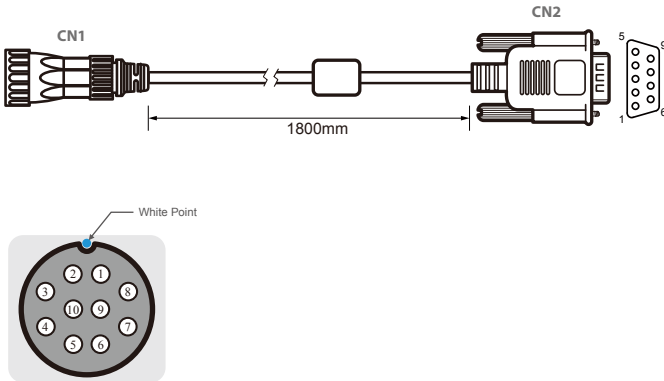
LAN Cable



Plug	Wire Color	Conn.
1	Orange / White	1
2	Orange	2
3	Green / White	3
4	Blue	4
5	Blue / White	5
6	Green	6
7	Brown / White	7
8	Brown	8

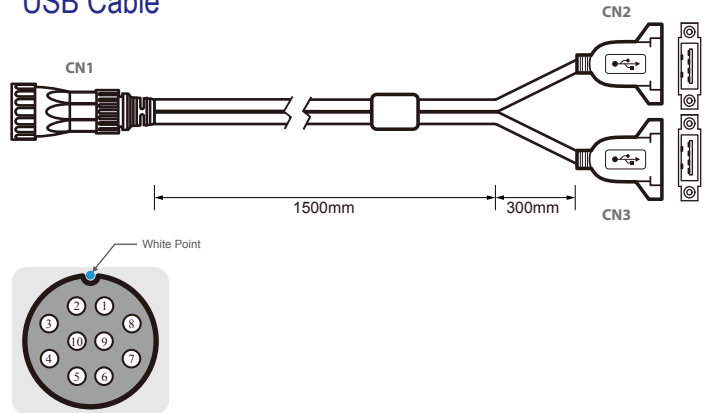
Twist pairs: (1,2), (3,6), (4,5), (7,8)

Serial Cable



Pin No.	Symbols	Color		Pin No.	Symbols	Color
CN1-1	DCD-CON2	Green	↔	CN2-1	DCD-CON2	Green
CN1-2	DSR-CON2	Brown	↔	CN2-6	DSR-CON2	Brown
CN1-3	RXD-CON2	Red	↔	CN2-2	RXD-CON2	Red
CN1-4	RTS-CON2	Orange	↔	CN2-7	RTS-CON2	Orange
CN1-5	TXD-CON2	Blue	↔	CN2-3	TXD-CON2	Blue
CN1-6	CTS-CON2	White	↔	CN2-8	CTS-CON2	White
CN1-7	DTR-CON2	Purple	↔	CN2-4	DTR-CON2	Purple
CN1-8	RI-CON2	Yellow	↔	CN2-9	RI-CON2	Yellow
CN1-9	GND-CON2	Black	↔	CN2-5	GND-CON2	Black
CN1-10	NC		↔	CN2-10	NC	

USB Cable



Pin No.	Symbols	Color		Pin No.	Symbols	Color
CN1-1	VCC	RED	↔	CN2-1	VCC	RED
CN1-2	VCC	RED	↔	CN3-1	VCC	RED
CN1-3	D-	WHITE	↔	CN2-2	D-	WHITE
CN1-4	D-	WHITE	↔	CN3-2	D-	WHITE
CN1-5	D+	GREEN	↔	CN2-3	D+	GREEN
CN1-6	D+	GREEN	↔	CN3-3	D+	GREEN
CN1-7	GND	BLACK	↔	CN2-4	GND	BLACK
CN1-8	GND	BLACK	↔	CN3-4	GND	BLACK
CN1-9	Braid		↔	Braid connect to the housing		

twisted pair (for D+, D-, GND pairs)