

Multi-Touch LCD

21.5" (16:9)

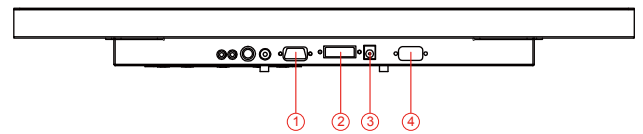
Specifications

RoHS
COMPLIANT
2011/65/EU

Model Name	W22L100-POA3
Viewable Size Image	21.5" (16:9)
Active Display Area(mm)	476.64 (H) x 268.11 (V)
Pixel Pitch(mm)	0.24825 (H) x 0.24825 (V)
Number of Pixels	1920x1080
Contrast Ratio	1000:1 (typ.)
Display Color	16.7M(8bit/color)
Brightness(cd/m ²)	250(typ.)
Viewing Angle(CR>=10)	-89~89 (H); -89~89 (V)
Synchronization Range Horizontal/Vertical	55~91KHz / 50~76Hz
Recommended Resolution	1920x1080 @ 60Hz
Signal Connector	15 pin D-sub
Power Source	12V DC in, with External AC to DC Adapter (100~240V AC)
Power Consumption	40W typical, normal operation
Power Management	VESA DPMS Compliant
Plug & Play	VESA DDC 1/2B
Optional Video Input	S-Video, Composite
Optional DVI Input	Yes
Optional HDMI Input	Yes
Optional Touch Screen	Projected Capacitive Multi-Touch (P-CAP)

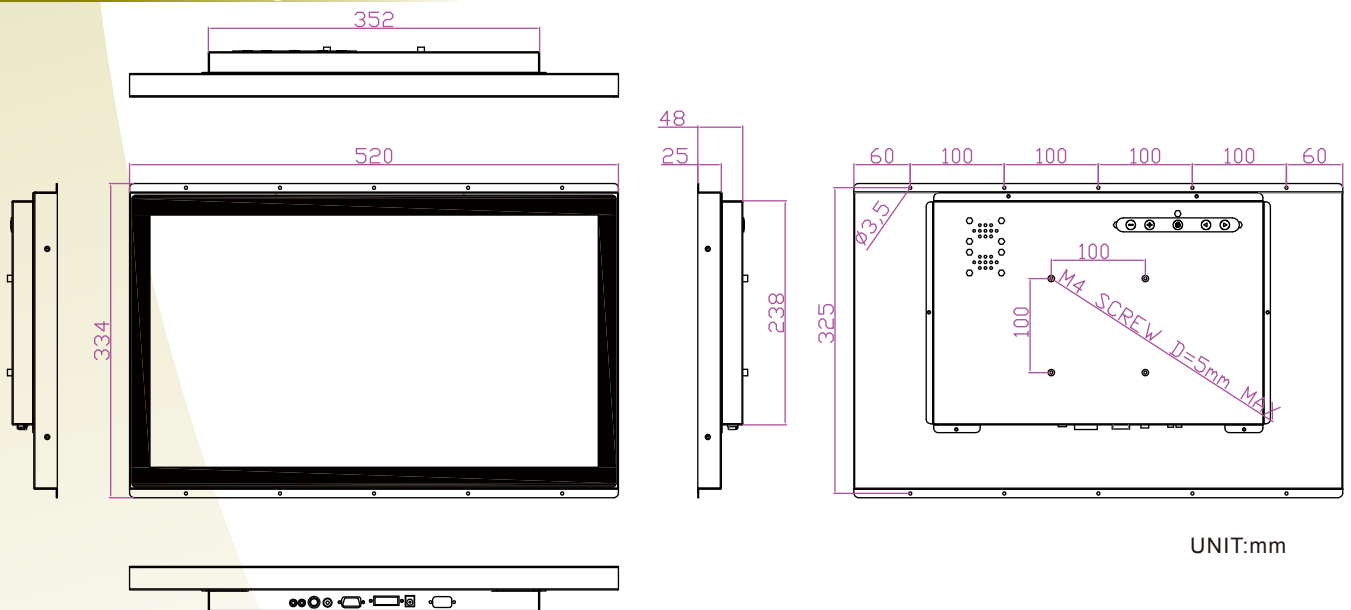


I/O Connector



1. VGA
2. DVI
3. 12V DC in
4. USB(Touch)

Mechanical Drawing



UNIT:mm

* Note: this is a simplified drawing and some components are not marked in detail.
Please contact our sales representative if you need further product information.