

IMK-571R MiniKiosk

The best choice to connect with your customer

Features

- RMI Alchemy MAE multimedia platform with 5.7" VGA touch panel and stereo speaker
- Support PoE (Power Over Ethernet) agile deployment
- Wide-angle, illumination 1D/2D barcode engine
- Wired/unwired network connectivity support
- Default 2GB MiniSD for data storage



Interact with your customer

IEI IMK-571R MiniKiosk is a space-saving device specially designed for slim front-end information access and customer interaction in your retail environment which is suitable for various applications. Now, no extra service and waiting is needed, customers can check the price, obtain product information through multimedia and even get a real-time promotion message by themselves through a simply scan of product barcode or convenient touch panel interface. This can greatly assist you to reduce unnecessary service effort, draw potential sales opportunity and maximize customer satisfaction and profit.

On-site information access

In addition to customer service, IMK-571R can also improve operation efficiency by enabling on-site employee easy access and update necessary product and inventory information.

Powerful hardware design in compact size

With compact size, PoE (Power-Over-Ethernet) power supply function and low thermal design, IMK-571R is the most cost-effective solution with easy deployment and maintenance for your IT staffs. Empowered by RMI Alchemy Au1250 microprocessor with MAE (Multimedia Acceleration Engine), IMK-571R achieves great performance in its versatile multimedia support including most available video and audio types (MPEG1/2/4, DivX and WMV9).

Easy data and program management

To support possibly volume of product data and video content, IMK-571R offers a default 2GB large capacity miniSD storage space and a variety of connectivity. You can manage your data, multimedia content and applications via embedded LAN, WLAN or RS-232 connection or even miniSD card.

Software development support

IMK-571R software development kit (SDK) includes most useful functions and makes software development easier and faster than ever. It includes comprehensive demonstration source code and document for most web application develop environment.

Maximize customer satisfaction and ROI

IMK-571R is not only a multimedia self-service device but means a brand new connection between you and your customers. Now you can talk to your customers, interact with them and even collect their behavior information just in this simple machine without spending extra on-the-spot service effort. IMK-571R provides customers a new, delightful shopping experience and improves their satisfaction and loyalty, and maximizes your business profit and ROI.

Applications



Self-service

- Allow customer to check price, obtain product related information or even motivate them by providing promotion message



Customer Loyalty program

- Customer can access their loyalty card to see their accumulated credit and reward programs

Advertising

- Play multimedia video to attract attention of customers and make shopping more interesting
- In DVD rental store, customers can watch movie preview by scanning DVD barcode



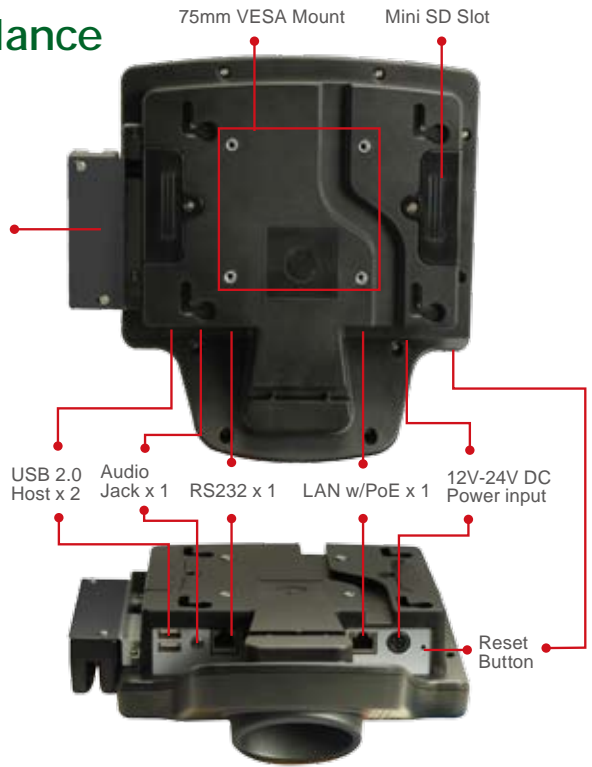
Production Line information

- Operator can scan barcode on WIP carrier to get production information and update the production status





IMK-571R in a glance

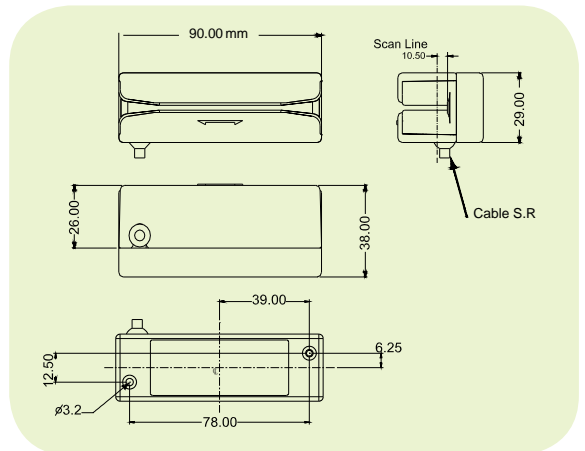
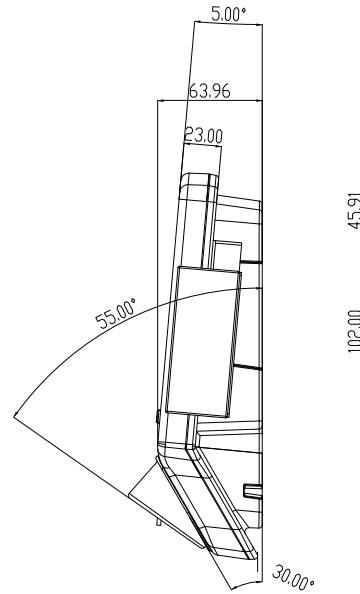
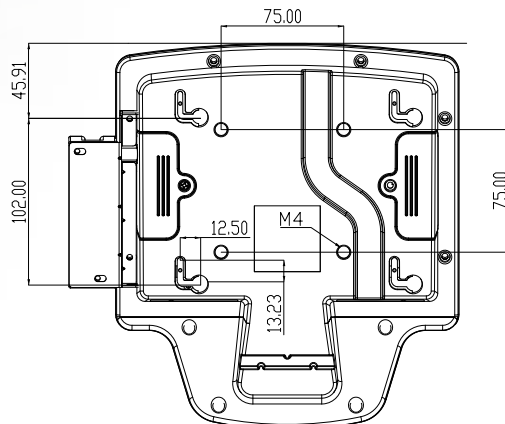
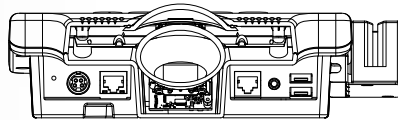
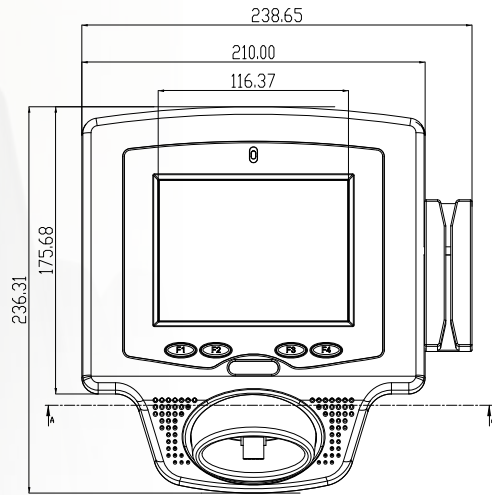


1D/2D Barcode Scanner

Wall Mount

Requires no cut out in the wall surface. It mounts directly on the existing wall or desk.

Dimensions





Specifications

Core System

- RMI Alchemy AU1250 500MHz CPU
- 2MB NOR Flash for bootloader
- 256MB DDR2
- miniSD slot with default 2GB miniSD memory card for OS and user data/program
- Watch Dog Timer

Display

- 5.7" VGA TFT Touch panel LCD with LED backlight
- Resistive Type 4-Wire Touch Screen

Data input and display

- Power LED
- Function keys x 4
- 1D/2D barcode scanner
- Reset button x 1
- MSR (IMK-571R-CE5/MSR-R10 Only)

Connectivity

- 10/100Mbps Ethernet with onboard POE design
- Built-in WiFi 802.11 b/g
- RS-232 x 1
- USB host Rev. 2.0 x 2
- Stereo Audio Jack x 1
- Stereo Speaker x 2

Physical Specification

- Operation Temperature : 0°C-50°C
- Humidity : 5%-90% RH

Power

- 1 x 12-24V DC Power Input
- 8W Power Consumption

OS

- Windows® CE 5.0
- Built-in web server
- Built-in RDC (Remote Desktop Connection) Thin Client support
- SDK for eMbedded Visual C++

Utility

- IMK Web Configurator
- IMK Remote Management Tool
- IMK Merchandise Manager

Demo

- IMK Runtime Demo Application



Ordering Information

Part Number	Description
IMK-571R-CE5/-R10	RISC-BASED MINI KIOSK PANEL PC, ALCHEMY AU1250 CPU, 5.7" TFT TOUCH PANEL, HONEYWELL IT5180 1D/2D BARCODE SCANNER, WIFI B/G, ON BOARD POE, W/O MAGNETIC STRIPE READER, WINCE5.0, RoHS
IMK-571R-CE5/MSR-R10	RISC-BASED MINI KIOSK PANEL PC, ALCHEMY AU1250 CPU, 5.7" TFT TOUCH PANEL, HONEYWELL IT5180 1D/2D BARCODE SCANNER, WIFI B/G, ON BOARD POE, W/ MAGNETIC STRIPE READER, WINCE5.0, RoHS
AFLWK-12	VESA 75 wall mount kit

Packing List

1 x IMK-571R	1 x Utility CD includes SDK, utilities, and technical document
1 x 9-pin RS-232 cable	1 x Touch pen
1 x Screw kit	