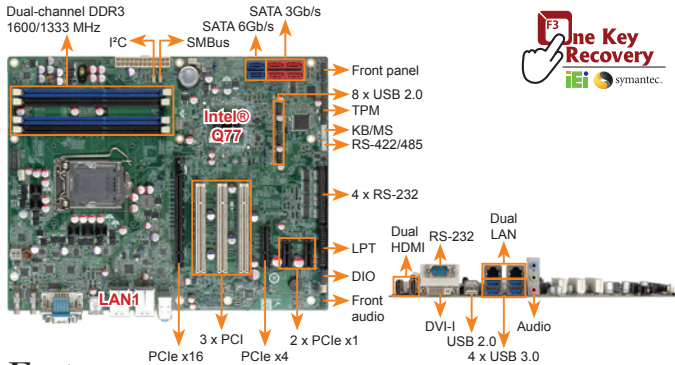


# IMBA-Q770

ATX motherboard supports 22nm LGA1155 Intel® Core™ i7/i5/i3 CPU with Intel® Q77, DDR3, triple independent display via dual HDMI/DVI-I, dual Intel® PCIe GbE, USB 3.0, SATA 6Gb/s, HD Audio and RoHS



## Features

- LGA1155 Intel® Core™ i7/i5/i3 processor supported
- Dual-channel DDR3 1600/1333 MHz supports up to 32 GB
- Intel® PCIe GbE with Intel® AMT 8.0 supported
- Supports 3 displays with 2 displays in combination of HDMI, DVI and VGA
- Supports PCI Express generation 3.0 at 8GT/s I/O bandwidth
- USB 3.0 and SATA 6Gb/s supported
- IEI One Key Recovery solution allows you to create rapid OS backup and recovery

## Specifications

- ◆ CPU  
LGA1155 socket supports Intel® Core™ i7/i5/i3 quad/dual core processor
- ◆ Chipset: Intel® Q77
- ◆ Memory  
Four 240-pin 1600/1333 MHz dual-channel DDR3 SDRAM unbuffered DIMMs support up to 32 GB
- ◆ BIOS: UEFI BIOS
- ◆ Ethernet  
LAN1: Intel® 82583V PCIe controller  
LAN2: Intel® 82579L PHY with Intel® AMT 8.0 support
- ◆ Graphics Engine  
Intel® HD Graphics Gen 7 supports DX11 and OpenCL 1.1  
Full MPEG-2, VC1, AVC Decode
- ◆ Display Output  
Triple independent display  
2 x HDMI (up to 1920x1200@60Hz)  
1 x DVI-I (up to 1920x1200@60Hz)
- ◆ External I/O Interface  
1 x KB/MS 4 x USB 2.0  
1 x RS-232 4 x USB 3.0
- ◆ Internal I/O Interface  
1 x KB/MS (1x6 pin)  
1 x LPT(2x13 pin, P=2.54)  
1 x RS-422/485 (1x4 pin, P=2.0)  
2 x SATA 6Gb/s (RAID 0/1/5/10 supported)  
4 x RS-232 (2x20 pin, P=2.54)  
4 x SATA 3Gb/s (RAID 0/1/5/10 supported)  
8 x USB 2.0 (2x4 pin, P=2.54)
- ◆ Audio  
Realtek ALC662 HD Audio codec supports 5.1-channel  
3 x Audio jacks (line-out, line-in, mic-in) on rear IO  
1 x Front audio (2x5 pin)
- ◆ Front Panel  
1 x Front panel (2x7 pin, power LED, HDD LED, speaker, power button, reset button)
- ◆ TPM: 1 x TPM (2x10 pin)
- ◆ SMBus: 1 x SMBus (1x4 pin)
- ◆ PC: 1 x PC (1x4 pin)
- ◆ Expansion  
1 x PCIe x16 slot 2 x PCIe x1 slot  
1 x PCIe x4 slot 3 x PCI slot
- ◆ Watchdog Timer  
Software programmable supports 1~255 sec. system reset
- ◆ Digital I/O: 8-bit digital I/O (2x5 pin)
- ◆ Fan Connector  
1 x CPU smart fan (1x4 pin)  
2 x System fan (1x3 pin)
- ◆ Power Supply: ATX power supply  
3.3V@1.39A, 5V@4.63A, Vcore@2.25A, 12V@0.47A, 5VSB@0.14A(Intel® 2.4GHz CPU with four 1333 MHz 2 GB DDR3 memory)
- ◆ Operating Temperature: -10°C ~ 60°C
- ◆ Storage Temperature: -20°C ~ 70°C
- ◆ Operating Humidity: 5% ~ 95%, non-condensing
- ◆ Dimensions: 244 mm x 305 mm
- ◆ Weight: GW: 1200g / NW: 700g
- ◆ CE/FCC compliant

## Packing List

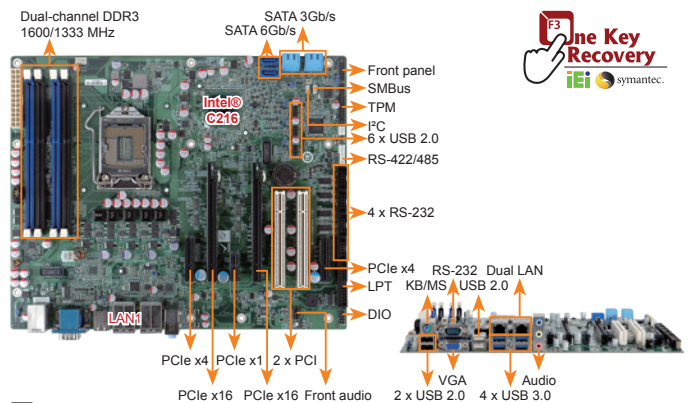
1 x IMBA-Q770 single board computer	1 x One Key Recovery CD
1 x DVI-I to VGA adapter	1 x Mini jumper pack
1 x I/O shielding	1 x Utility CD
4 x SATA cable	1 x QIG

## Ordering Information

Part No.	Description
IMBA-Q770-R10	ATX motherboard supports 22nm LGA1155 Intel® Core™ i7/i5/i3 CPU with Intel® Q77, DDR3, three independent displays via Dual HDMI/ DVI-I, dual Intel® PCIe GbE, USB 3.0, SATA 6Gb/s, HD Audio and RoHS
19800-000049-RS	LPT flat cable, 240mm, P=2.54
19800-000075-RS	PS/2 KB/MS cable with bracket, 220mm, P=2.0
19800-003100-300-RS	Dual port USB cable with bracket, 300mm, P=2.54
32102-000100-200-RS	SATA power cable, MOLEX 5264-4P to SATA15P
32205-001203-200-RS	RS-232 cable, 40-pin to four DB-9, 400mm, P=2.54
32205-003800-300-RS	RS-422/485 cable, 200mm, P=2.0
CF-115XA-R10	High performance LGA1155/LGA1156 cooler kit, 1U chassis compatible, 73W
CF-1156C-R20	LGA1155/LGA1156 cooler kit, 1U chassis compatible, 45W
CF-1156D-R20	LGA1155/LGA1156 cooler kit, 1U chassis compatible, 65W
CF-115XE-R10	High performance LGA1155/LGA1156 cooler kit, 95W
TPM-IN01-R20	20-pin Infineon TPM module, software management tool, firmware v3.17

# IMBA-C2160

ATX motherboard supports 22nm LGA1155 Intel® Xeon® E3/ Intel® Core™ i3 CPU with Intel® C216, DDR3, VGA, dual Intel® PCIe GbE, USB 3.0, SATA 6Gb/s, HD Audio and RoHS



## Features

- LGA1155 Xeon® E3 and Intel® Core™ i3 processor supported
- Dual-channel DDR3 1600/1333 MHz supports up to 32 GB
- Intel® PCIe GbE with Intel® AMT 8.0 supported
- Supports PCI Express generation 3.0 at 8GT/s I/O bandwidth
- USB 3.0 and SATA 6Gb/s supported
- High speed interface usage for two PCIe x8/two PCIe x4 add-on cards
- IEI One Key Recovery solution allows you to create rapid OS backup and recovery

## Specifications

- ◆ CPU  
LGA1155 socket supports Xeon® E3 and Intel® Core™ i3 quad/dual core processor
- ◆ Chipset: Intel® C216
- ◆ Memory  
Four 240-pin 1600/1333 MHz dual-channel DDR3 SDRAM ECC and non-ECC unbuffered DIMMs support up to 32 GB
- ◆ BIOS: UEFI BIOS
- ◆ Ethernet  
LAN1: Intel® 82579 PHY with Intel® AMT 8.0 supported  
LAN2: Intel® 82574L PCIe controller
- ◆ Graphics Engine  
Intel® HD Graphics 2000 / 3000  
Supports DX10.1 and OpenGL 3.0  
Full MPEG-2, VC1 and AVC Decode
- ◆ Display Output  
1 x VGA (up to 2048x1536@75Hz)
- ◆ Audio  
Realtek ALC662 HD codec supports 5.1-channel  
3 x Audio jacks (line-out, line-in, mic-in) on rear IO  
1 x Front audio (2x5 pin)
- ◆ TPM: 1 x TPM (2x10 pin)
- ◆ SMBus: 1 x SMBus (1x4 pin)
- ◆ PC: 1 x PC (1x4 pin)
- ◆ Digital I/O: 8-bit digital I/O (2x5 pin)
- ◆ Front Panel  
1 x Front panel (2x7 pin, power LED, HDD LED, speaker, power button, reset button)
- ◆ External I/O Interface  
1 x KB/MS 4 x USB 2.0  
1 x RS-232 4 x USB 3.0
- ◆ Internal I/O Interface  
1 x KB/MS (1x6 pin)  
1 x LPT (2x13 pin, P=2.54)  
1 x RS-422/485 (1x4 pin, P=2.0)  
2 x SATA 6Gb/s (RAID 0/1/5/10 supported)  
4 x RS-232 (2x5 pin, P=2.54)  
6 x USB 2.0 (2x4 pin, P=2.54)
- ◆ Expansion  
2 x PCI slot  
1 x PCIe x1 slot  
2 x PCIe x4 slot  
2 x PCIe x16 (share 1 PCIe x16 signal)
- ◆ Watchdog Timer: Software programmable supports 1~255 sec. system reset
- ◆ Fan Connector  
1 x CPU fan (1x4 pin)  
2 x System fan (1x3 pin)
- ◆ Power Supply: ATX power supply  
3.3V@1.55A, 5V@3.43A, Vcore@3.12A, 12V@0.20A, 5VSB@0.18A (Intel® Xeon® 2.2GHz CPU with two 1333 MHz 4 GB DDR3 memory)
- ◆ Operating Temperature: -10°C ~ 60°C
- ◆ Storage Temperature: -20°C ~ 70°C
- ◆ Operating Humidity: 5% ~ 95%, non-condensing
- ◆ Dimensions: 244 mm x 305 mm
- ◆ Weight: GW: 1200g / NW: 700g
- ◆ CE/FCC compliant

## Packing List

1 x IMBA-C2160 single board computer	
4 x SATA cable	1 x Mini jumper pack
1 x I/O shielding	1 x Utility CD
1 x One Key Recovery CD	1 x QIG

## Ordering Information

Part No.	Description
IMBA-C2160-R10	ATX motherboard supports 22nm LGA1155 Intel® Xeon® E3/ Intel® Core™ i3 CPU with Intel® C216, DDR3, VGA, dual Intel® PCIe GbE, USB 3.0, SATA 6Gb/s, HD Audio and RoHS
19800-000049-RS	LPT flat cable, 240mm, P=2.54
19800-000075-RS	PS/2 KB/MS cable with bracket, 220mm, P=2.0
19800-003100-100-RS	Dual port USB cable with bracket, 300mm, P=2.54
19800-020100-100-RS	RS-232 cable with bracket, Dual 10-pin to dual DB-9, 230mm, P=2.54
32006-000300-100-RS	PS/2 KB/MS Y-cable without bracket, 140mm/120mm
32102-000100-200-RS	SATA power cable, MOLEX 5264-4P to SATA15P
32205-003800-300-RS	RS-422/485 cable, 200mm, P=2.0
CF-115XA-R10	High performance LGA1155/LGA1156 cooler kit, 1U chassis compatible, 73W
CF-115XE-R10	High performance LGA1155/LGA1156 cooler kit, 95W
TPM-IN01-R20	20-pin Infineon TPM module, software management tool, firmware v3.17