

M.2 (P42) 3TE4 B+M Key

Diagram (ST)

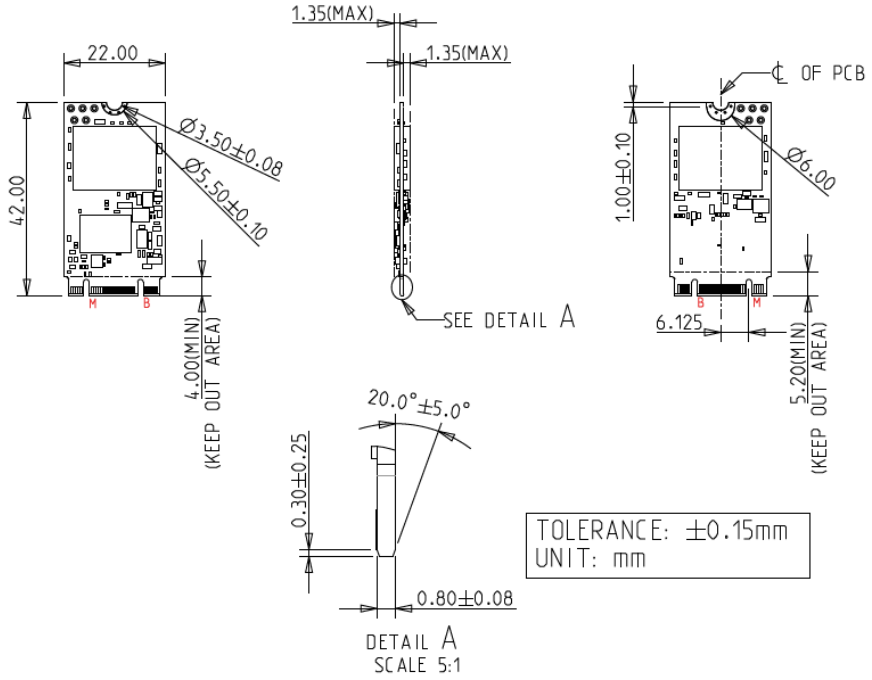
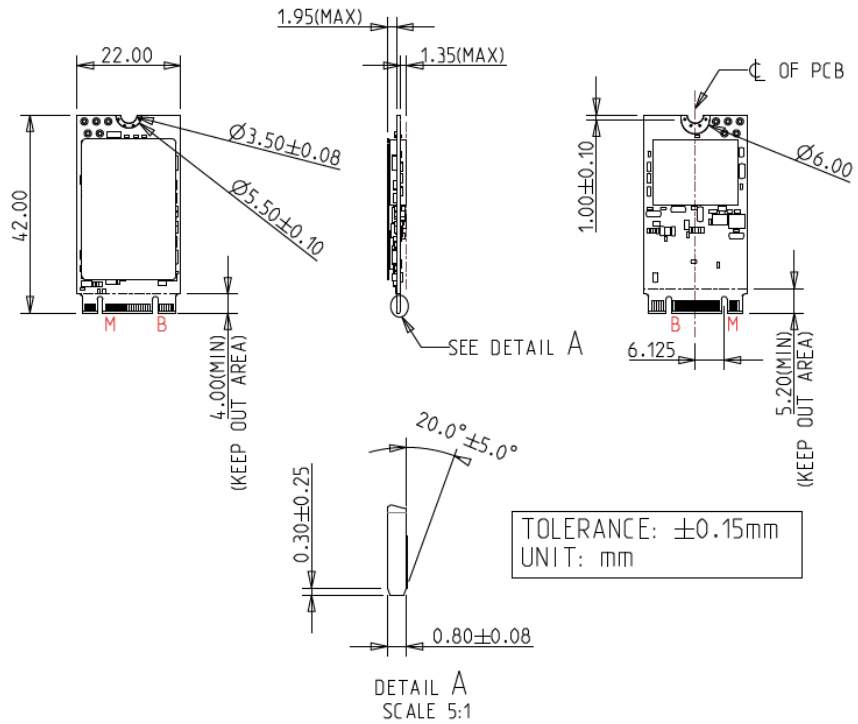


Diagram (WT)



Specification

Interface	PCIe Gen. III x2
Flash Type	3D TLC
P/E cycle	3,000
Capacity	256GB~512GB
Max. Channels	4
Sequential R/W (MB/s, Max)	1,750/1,400
Max. Power Consumption (RMS)	3.3W
Thermal Sensor	√
External DRAM buffer	NA
H/W Write Protect	NA
iCell	NA
Dimension (WxLxH)	22.0 X 42.0 X 1.35 mm
Environment	Vibration: 20G @7~2000Hz Shock: 1500G @ 0.5ms Storage Temperature: -40°C ~ +85°C MTBF: 3 million hours

Ordering Information

Operation Temp.	256GB	512GB
Standard Grade (0°C ~ +70°C)	DEM24-B561B1KCCQF	DEM24-C121B1KCCQF
Industrial Grade (-40°C ~ +85°C)	DEM24-B561B1KWCQF	DEM24-C121B1KWCQF