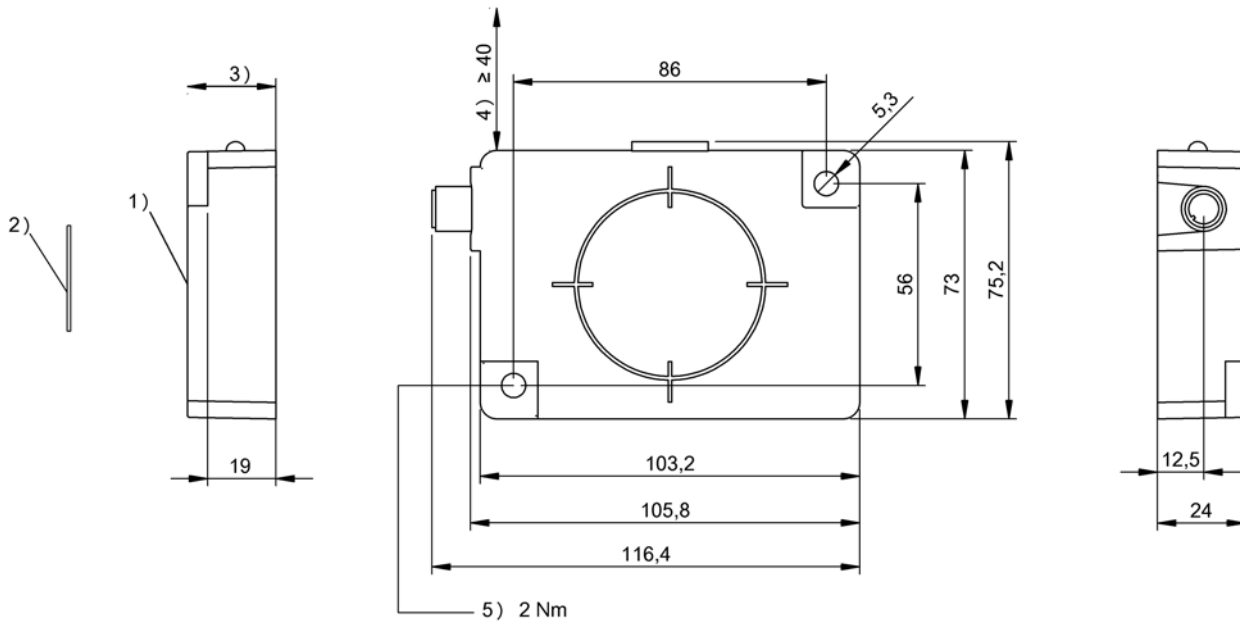


HF (13.56 MHz)

BIS M-411-067-001-04-S92

Ordercode: BIS00W5



1) Sensing surface 2) Data carrier 3) Clear zone 4) Clear zone surrounding 5) Tightening torque



Display/Operation

Function indicator
COM field, LED yellow
RF field, LED red
Power (ON), LED green

Electrical connection

Connection (RS485): M12x1-Male, 5-pole

Electrical data

Current consumption max. at 24 V DC 400 mA
EN 300330-1 Power Class 5
Operating voltage U_b 10...30 VDC
Residual ripple max. included

Environmental conditions

Ambient temperature -20...50 °C
Continuous shock load yes
EN 60068-2-27, Shock yes
EN 60068-2-32 Free fall yes

EN 60068-2-6, Vibration yes
Protection degree IP67
Storage temperature -20...70 °C

General data

Antenna type Round
Approval/Conformity UL-FILE E227256, Vol.X1, BIS CE
EN 55011 Size 1, Cl. A

Material

Housing material PC, with PU potting

Mechanical data

Application weight 200.00 g
Dimension 75 x 24 x 105 mm
Installation with clear zone (in steel)

Output/Interface

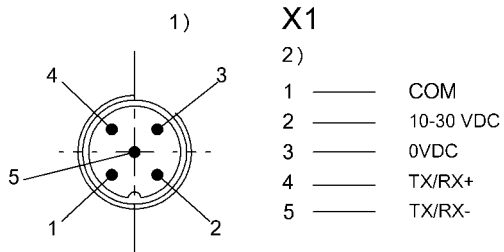
Interface RS485

HF (13.56 MHz)

BIS M-411-067-001-04-S92

Ordercode: BIS00W5

Connector view



1) View towards connector
2) Connector 5-pin/ Function

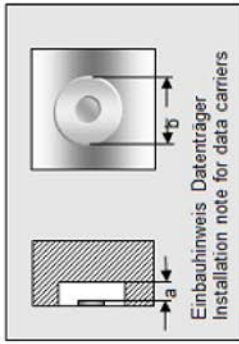
HF (13.56 MHz)

BIS M-411-067-001-04-S92

Ordercode: BIS00W5

BIS M-411-__

	BIS M-130-03/L	BIS M-130-07/L	BIS M-132-03/L	BIS M-132-03/L-HT
passende Datenträger Appropriate data carriers				
Abstand Datenträger zu Metall in mm (a) Data carrier distance to metal in mm	>10	>10	>25	>25
Freizone Datenträger in mm (b) Data carrier clear zone in mm	>60	>60	>100	>100
Schreibabstand in mm Write distance in mm	0-20	0-13	0-80	0-70
Lesebestand in mm Read distance in mm	0-20	0-13	0-80	0-70
Versatz in mm bei Abstand von Offset in mm at distance	0 ±22 5 ±22 9 ±19 12 ±19 13 ±19 16 ±19 20 ±14 22 26 30 35 40 45 50 60 65 70 75 80 90 100	±22 ±22 ±20 ±12 ±5	±50 ±50 ±50 ±50 ±50 ±50 ±40 ±40 ±40 ±40 ±35 ±35 ±30 ±30 ±30 ±30	±42 ±42 ±42 ±42 ±42 ±42 ±39 ±39 ±39 ±39 ±36 ±36 ±28 ±28



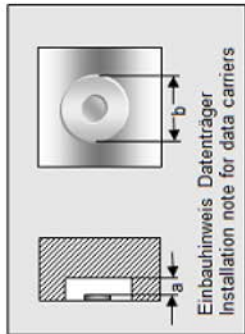
HF (13.56 MHz)

BIS M-411-067-001-04-S92

Ordercode: BIS00W5

BIS M-411-__

	BIS M-132-10/L	BIS M-132-10/L- HT	BIS M-133-02/A	BIS M-134-10/L	BIS M-134-10/L- HT
passende Datenträger Appropriate data carriers					
Abstand Datenträger zu Metall in mm (a) Data carrier distance to metal in mm	>25	>25	>25	>50	>50
Freizone Datenträger in mm (b) Data carrier clear zone in mm	>100	>100	>100	>150	>150
Schreibabstand in mm Write distance in mm	0-26	0-22	38-52	0-56	0-60
Leseabstand in mm Read distance in mm	0-26	0-22	38-52	0-56	0-60
Versatz in mm bei Abstand von	0 5 10 15 20 22 26 30 38 40 45 50 52 56 60 70 80 90 100 110 120	±20 ±20 ±20 ±20 ±15 ±15 ±15		±35 ±35 ±35 ±35 ±35 ±30 ±30 ±30 ±30 ±25 ±25 ±25 ±25	±32 ±32 ±32 ±32 ±32 ±30 ±30 ±30 ±30 ±25 ±25 ±25 ±25
Offset in mm at distance					



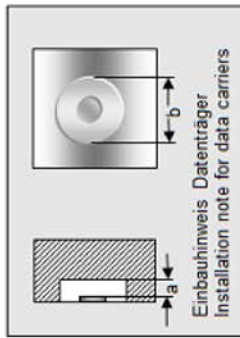
HF (13.56 MHz)

BIS M-411-067-001-04-S92

Ordercode: BIS00W5

BIS M-411-___

	BIS M-135-02/L	BIS M-135-03/L	BIS M-135-03/L- HT	BIS M-135-07/L	BIS M-135-07/L- HT
passende Datenträger Appropriate data carriers					
Abstand Datenträger zu Metall in mm (a) Data carrier distance to metal in mm	>50	>50	>50	>50	>50
Freizone Datenträger in mm (b) Data carrier clear zone in mm	>150	>150	>150	>150	>150
Schreibabstand in mm Write distance in mm	0-100	0-110	0-125	11-95	11-75
Lesebestand in mm Read distance in mm	0-100	0-110	0-125	11-95	11-75
Versatz in mm bei Abstand von	0 ±50	±62	±65		
	5 ±50	±62	±65		
	11 ±50	±62	±65	±52	±50
	15 ±50	±62	±65	±52	±50
	20 ±50	±62	±65	±52	±50
	25 ±50	±62	±65	±52	±50
	30 ±50	±62	±65	±52	±50
	35 ±50	±58	±65	±48	±42
	40 ±50	±58	±65	±48	±42
	45 ±50	±58	±62	±48	±42
	50 ±50	±58	±62	±48	±42
	55 ±50	±58	±62	±48	±42
	60 ±50	±58	±62	±48	±35
	75 ±45	±52	±62	±44	±35
	85 ±45	±52	±58	±44	
	95 ±45	±52	±58	±40	
	100 ±45	±52	±58		
	110	±48	±58		
	120		±58		
	125		±58		
	130		±50		



HF (13.56 MHz)

BIS M-411-067-001-04-S92

Ordercode: BIS00W5

BIS M-411-__

passende Datenträger Appropriate data carriers	BIS M-110-02/L	BIS M-111-02/L			
Abstand Datenträger zu Metall in mm (a) Data carrier distance to metal in mm	>25	>25			
Freizone Datenträger in mm (b) Data carrier clear zone in mm	>100	>100			
Schreibabstand in mm Write distance in mm	0-45	0-67			
Lesebestand in mm Read distance in mm	0-45	0-67			
Versatz in mm bei Abstand von	0 ±30	±40			
	5 ±30	±40			
	10 ±30	±40			
	15 ±28	±40			
	20 ±28	±40			
	25 ±28	±38			
	30 ±28	±38			
	35 ±25	±38			
	40 ±25	±38			
	45 ±10	±35			
	50	±35			
	55	±35			
	60	±35			
	67	±10			
	70				
	75				
	80				
	85				
	90				
	95				
	100				

