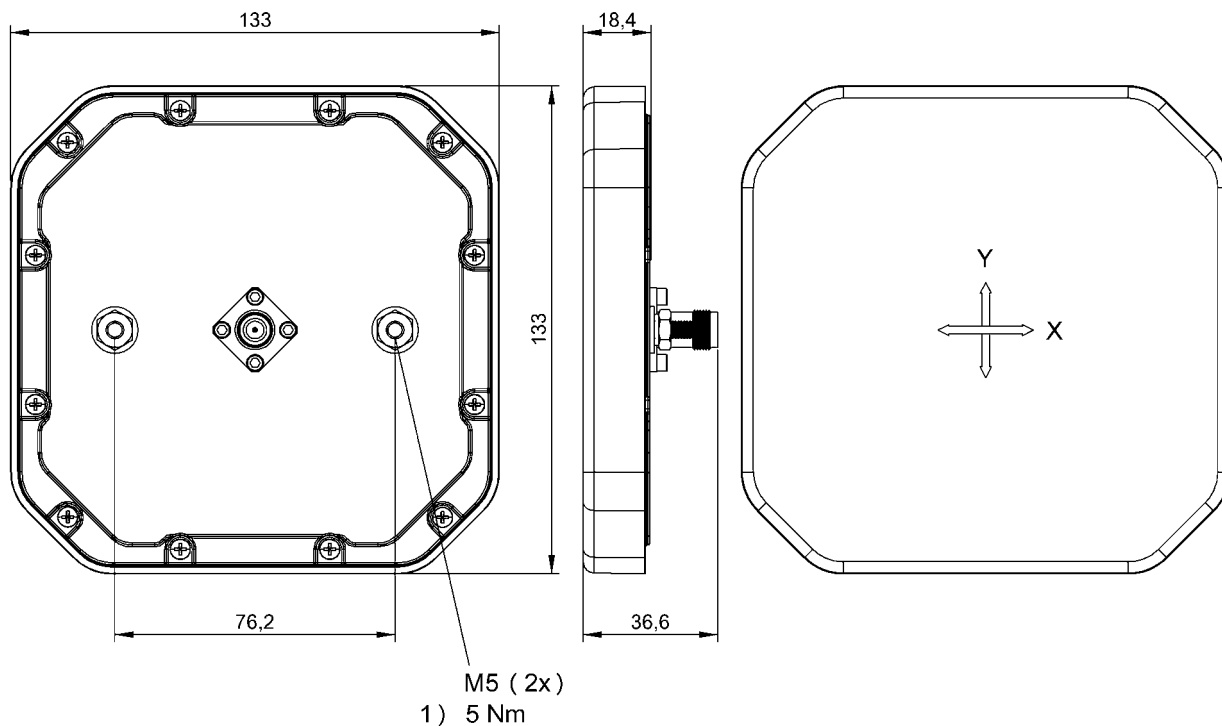


UHF (860...960 MHz)
 BIS U-301-C0-TNCB
 Ordercode: BIS00P0



1) Tightening torque

Electrical connection

Connection slots TNC-Female

Electrical data

Antenna gain 5.5 dBi
 Antenna impedance 50 Ohm
 Front-to-back ratio ≥ 8 dB
 Permissible radiated power ETSI EN 302208
 ≤ 0.5 W ERP
 Polarization circular
 VSWR (voltage standing wave ratio) $\leq 1.5:1$
 Working frequency EU 865...868 MHz

Environmental conditions

Ambient temperature $-30 \dots 70$ °C
 Continuous shock load yes
 EN 60068-2-27, Shock yes
 EN 60068-2-6, Vibration yes
 Protection degree IP67 with connector
 Storage temperature $-40 \dots 85$ °C

Material

Housing material PC

Mechanical data

Application weight 365.00 g
 Dimension 133 x 18.4 x 133 mm

Range/Distance

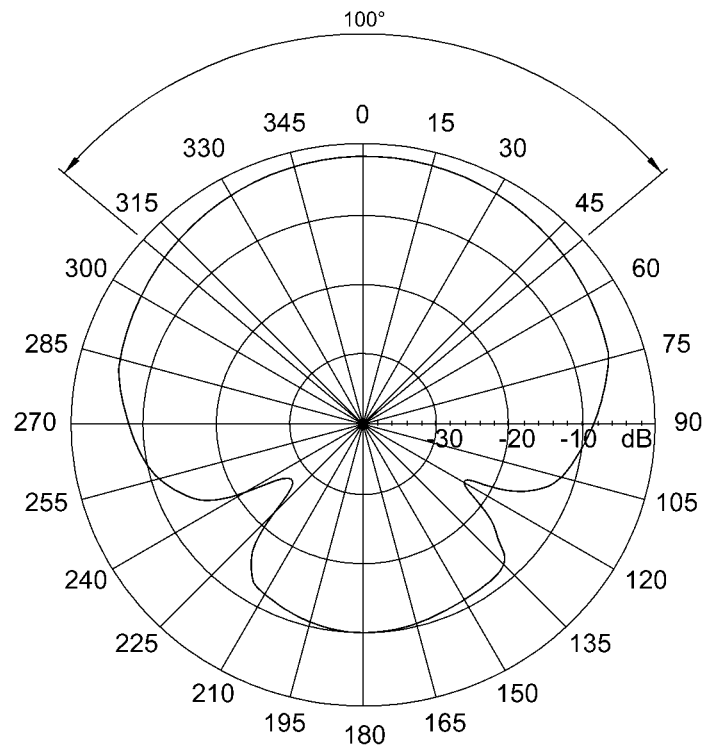
Axial ratio ≤ 2 dB
 Opening angle min. $100^\circ \times 100^\circ$

Remarks

Accessories not included: Antenna mount: BIS Z-HW-003, Order code: BAM01JK Antenna cable: BIS U-500-EF-01 = 1 m, Order code: BAM01HL BIS U-500-EF-02 = 2 m, Order code: BAM01HM BIS U-500-EF-05 = 5 m, Order code: BAM01HN BIS U-500-EF-10 = 10 m, Order code: BAM01HP
 When installing, the technical standards and regulations of the corresponding countries must be observed.
 Values are under rated conditions unless otherwise specified.

UHF (860...960 MHz)
BIS U-301-C0-TNCB
Ordercode: BIS00P0

Diagram



1) 865 MHz

1) Radiation diagram X+Y