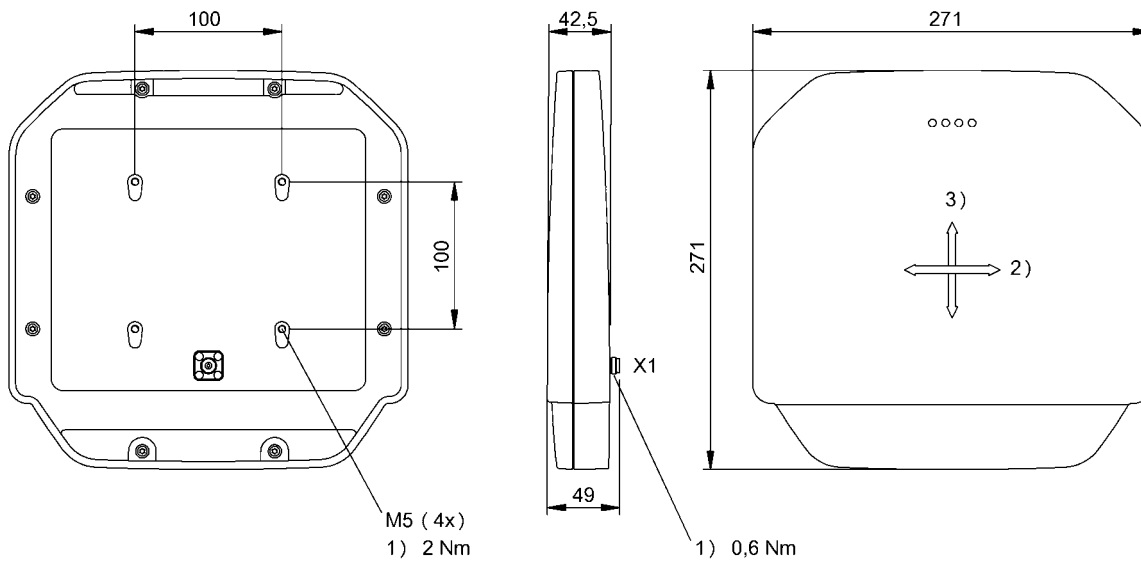


UHF (860...960 MHz)
BIS U-302-C0-TNCB
 Ordercode: BIS00TZ



1) Tightening torque 2) horizontal 3) vertical

Electrical connection

Connection slots TNC-Female

Electrical data

Antenna gain 8.5 dBi
 Antenna impedance 50 Ohm
 Front-to-back ratio ≥ 18 dB
 Permissible radiated power ETSI EN 302208
 ≤ 2 W ERP
 Polarization circular
 VSWR (voltage standing wave ratio) $\leq 1.2:1$
 Working frequency EU 865...870 MHz

Environmental conditions

Ambient temperature -20...55 °C
 Continuous shock load yes
 EN 60068-2-27, Shock yes
 EN 60068-2-6, Vibration yes
 Protection degree IP65 with connector
 Storage temperature -40...85 °C

Material

Housing material Aluminum, antenna hood:
 polymer blend

Mechanical data

Application weight 1700.00 g
 Dimension 271 x 42.5 x 271 mm

Range/Distance

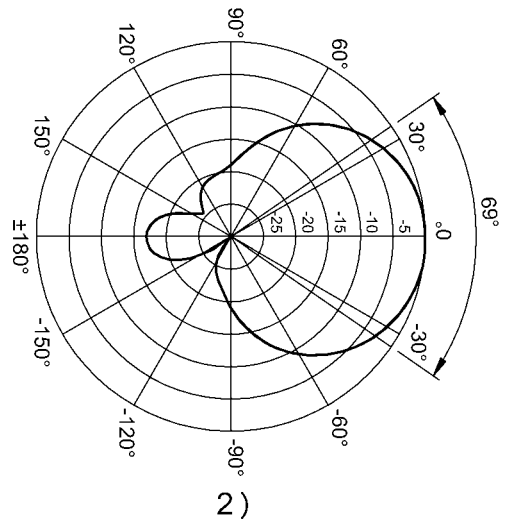
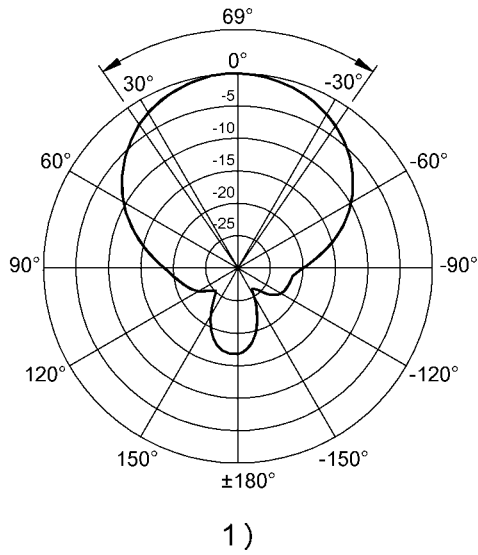
Axial ratio typ. 1 dB
 Opening angle min. 69° × 69°

Remarks

When installing, the technical standards and regulations of the corresponding countries must be observed.
 Values are under rated conditions unless otherwise specified.
 For basic equipment: Accessories see www.balluff.com

UHF (860...960 MHz)
BIS U-302-C0-TNCB
Ordercode: BIS00TZ

Diagram



- 1) Radiation diagram horizontal
- 2) Radiation diagram vertical