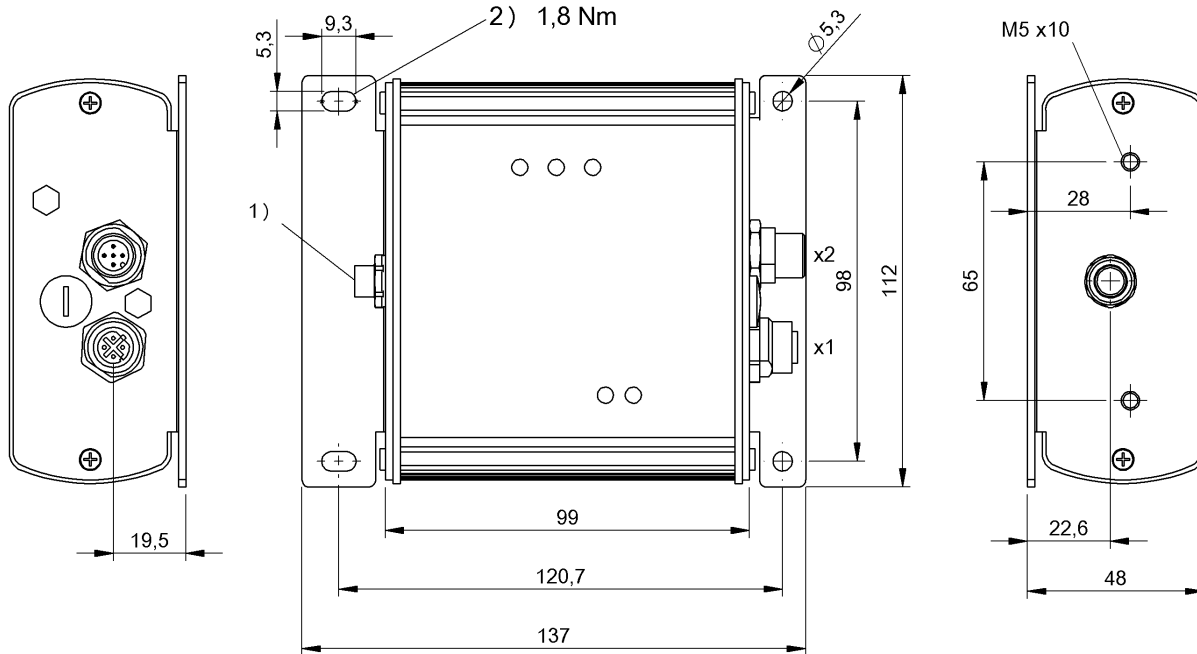


HF (13.56 MHz)

BIS M-626-069-A01-06-ST31

Ordercode: BIS00ZC



1) Antenna 2) Tightening torque



Display/Operation

(BB) Ready	Green LED
Custom	LED yellow
Default	LED yellow
RF	LED yellow

Electrical connection

Connection (COM 1)	X1 (Ethernet): M12x1-Female, 4-pole, D-coded
Connection (supply voltage IN)	X2: M12x1-Male, 5-pole
Connection slots	RCA-Female

Electrical data

Current consumption max. at 24 V DC	500 mA
Operating voltage U_b	19.2...28.8 VDC
Residual ripple max.	10 %

Environmental conditions

Ambient temperature	-20...50 °C
---------------------	-------------

Continuous shock load	yes
EN 60068-2-27, Shock	yes
EN 60068-2-32 Free fall	yes
EN 60068-2-6, Vibration	yes
Protection degree	IP65 with connector
Storage temperature	-20...70 °C

Functional safety

MTTF (40 °C)	44 a
--------------	------

General data

Approval/Conformity	UL-FILE E227256, Vol.X1, BIS CE
EN 55022	Size 1, Cl. A

Material

Housing material	Aluminum
------------------	----------

Mechanical data

Application weight	550.00 g
Dimension	112 x 48 x 137 mm

HF (13.56 MHz)

BIS M-626-069-A01-06-ST31

Ordercode: BIS00ZC

Output/Interface

Interface

Industrial Ethernet/Ethernet
TCP/IP/MODBUS TCP

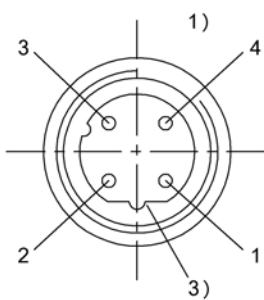
Remarks

Values are under rated conditions unless otherwise specified.
Only for data carriers acc. to ISO 15693 and ISO 14443A.

For more information about MTTF and B10d see MTTF / B10d Certificate

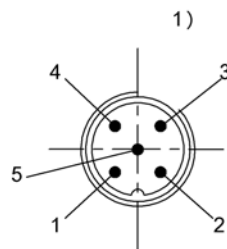
Indication of the MTTF- / B10d value does not represent a binding composition and/or life expectancy assurance; these are simply experiential values with no warranty implications. These declared values also do not extend the expiration period for defect claims or affect it in any way.

Connector view



X1

- 2)
1 — TX+
2 — RX+
3 — TX-
4 — RX-



X2

- 2)
1 — n.c.
2 — VDC
3 — GND
4 — n.c.
5 — n.c.

1) View towards connector
2) In Female 4-pin/ Function
3) Coding D

1) View towards connector
2) Connector 5-pin/ Function