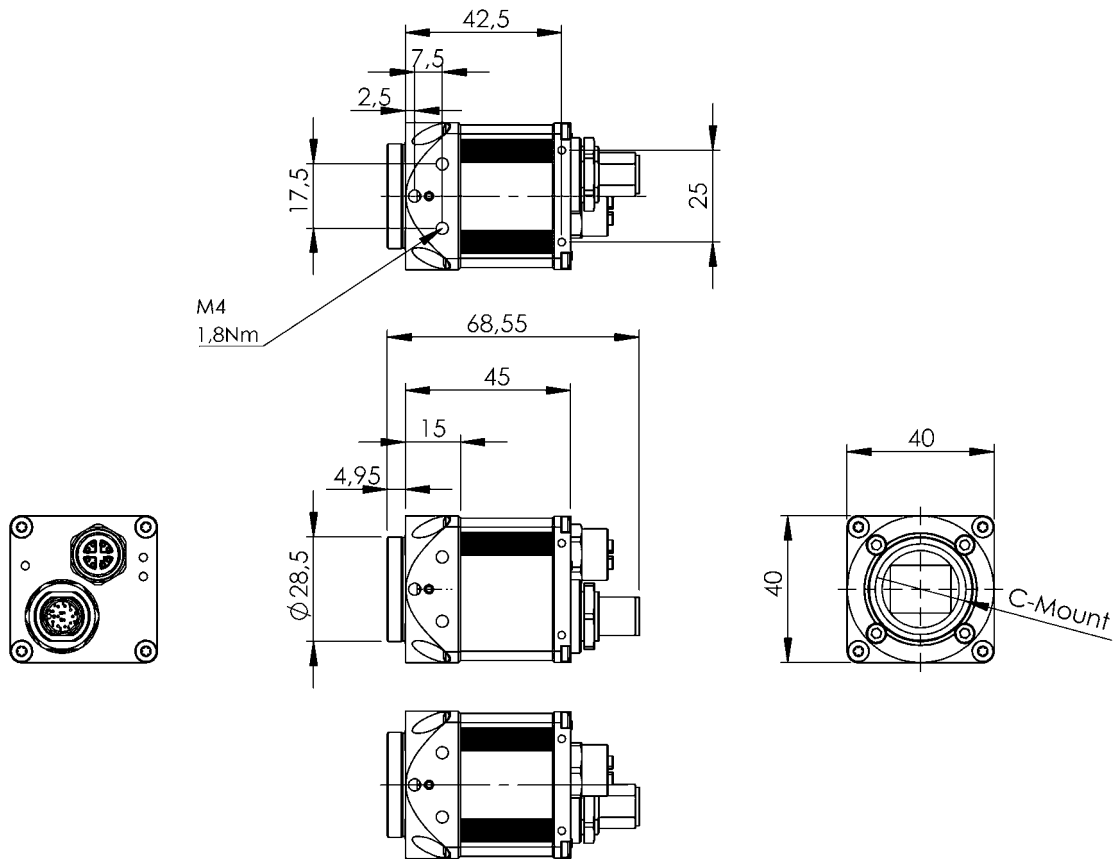


Machine Vision
 BVS CA-M2464Z00-31-000
 Ordercode: BVS002M



1) Tightening torque



Electrical connection

Polarity reversal protected	yes
Short-circuit protection	yes

Electrical data

Data storage	64 Mbytes
No-load current I _o max., receiver at U _e	300 mA
Operating voltage U _b	11...25 VDC
Output current max.	500 mA
Ripple max. (% of U _e)	5 %

Environmental conditions

Ambient temperature	0...45 °C
Protection degree	IP40
Storage temperature	-20...60 °C

Functional Characteristics

Detection rate typ.	max. 23.5 fps
---------------------	---------------

Functional safety

MTTF (40 °C)	11.7 a
--------------	--------

General data

Approval/Conformity	CE FCC RoHS EMVA 1288 EAC
Principle of operation	Industrial camera

Material

Housing material	Aluminum
Housing material, surface protection	Powder coated

Mechanical data

Dimension	40 x 40 x 68.7 mm
Lens mount	C-Mount
Weight	157 g

Machine Vision
BVS CA-M2464Z00-31-000
 Ordercode: BVS002M

Optical data

Image formats	Mono8 Mono10 Mono12 Mono14 Mono16 Mono12Packed Mono12p
Image resolution	2464 x 2056 pixels
Pixel size	3.45 x 3.45 µm
Sensor chip	SONY IMX264
Sensor type Vision	CMOS 2/3" monochrome global shutter

Interface
 Switching output

Gigabit Ethernet, POE
 4x PNP normally open (NO)

Remarks

Not included in the scope of delivery:
 Lens, filter, light, connection cable
 see www.balluff.de

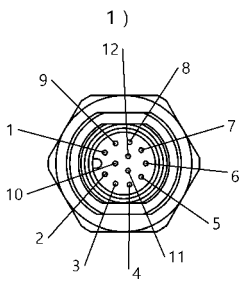
For more information about MTTF and B10d see MTTF / B10d Certificate

Indication of the MTTF- / B10d value does not represent a binding composition and/or life expectancy assurance; these are simply experiential values with no warranty implications. These declared values also do not extend the expiration period for defect claims or affect it in any way.

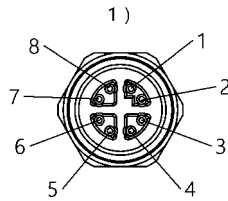
Output/Interface

Digital inputs 4x PNP opto-isolated

Connector view



- 2) Power-I/O
- 1 ___ PWR_IN+1
 - 2 ___ PWR_IN-GND
 - 3 ___ DigOut3
 - 4 ___ Opto DigIn0
 - 5 ___ DigOut2
 - 6 ___ DigOut0
 - 7 ___ Opto GND
 - 8 ___ Opto DigIn2
 - 9 ___ Opto DigIn3
 - 10 ___ +24V_HSD
 - 11 ___ Opto DigIn1
 - 12 ___ DigOut1



- 2) GigE LAN
- 1 ___ BI _DA+
 - 2 ___ BI _DA-
 - 3 ___ BI _DB+
 - 4 ___ BI _DB-
 - 5 ___ BI _DD+
 - 6 ___ BI _DD-
 - 7 ___ BI _DC-
 - 8 ___ BI _DC+

1) View towards connector
 2) Socket 8-pin/ Function