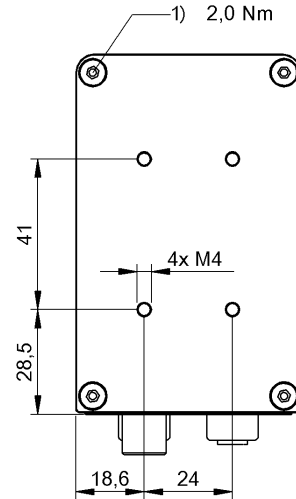
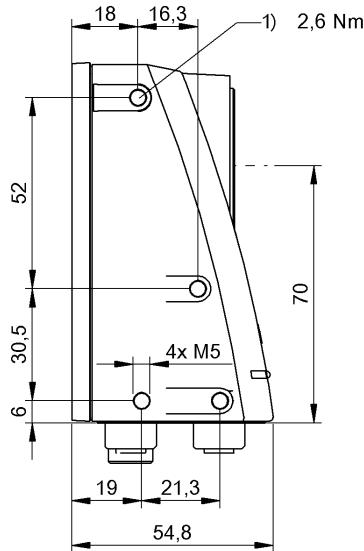
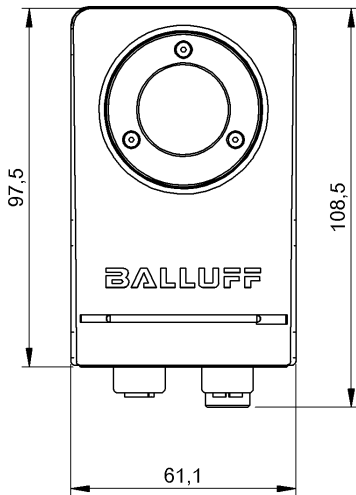
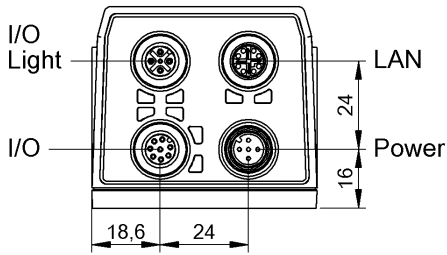


Machine Vision  
 BVS SC-M1280Z00-07-000  
 Ordercode: BVS002C



1) Tightening torque



### Electrical connection

Polarity reversal protected	yes
Short-circuit protection	yes

### Electrical data

Data storage	4 GB
No-load current $I_0$ max. at $U_e$	300 mA
Operating voltage $U_b$	19.2...28.8 VDC
Output current max.	1.2 A
Ripple max. (% of $U_e$ )	5 %

### Environmental conditions

Ambient temperature	0...55 °C
EN 60068-2-27, Shock	yes
EN 60068-2-6, Vibration	yes
Protection degree	IP67 with protection tube
Storage temperature	-25...70 °C

### Functional Characteristics

2D codes	Aztec Code Data Matrix ECC 200 GS1 Aztec Code GS1 Data Matrix GS1 QR Code Micro QR Code PDF 417 QR code
Barcodes	GS1 Databar, GS1-128, UPC-A, UPC-E, EAN-8, EAN-13, 2/5 Industrial, 2/5 Interleaved, Codabar, Code 128, Code 39, Code 93, MSI, UPC-A, UPC-E
Detection rate typ.	max. 60 fps

### Functional safety

MTTF (40 °C)	39 a
--------------	------

### General data

Application	Object inspection Range Object detection Positioning Barcode-, 2D-, OCR identification
-------------	---

Machine Vision  
**BVS SC-M1280Z00-07-000**  
 Ordercode: BVS002C

Approval/Conformity	CE UL-FILE E227256, Vol.X1, BIS	Sensor type Vision	CMOS 1/1.8" monochrome global shutter
Principle of operation	SmartCamera		

**Material**

Housing material	Aluminum
Housing material, surface protection	Painted

**Output/Interface**

Interface	LAN (Gigabit Ethernet)
Switching output	8x IO configurable

**Mechanical data**

Dimension	62 x 55 x 110 mm
Weight	360.00 g

**Remarks**

Not included in scope of delivery: Protective tube, lens, filter, light, connection cable  
 see [www.balluff.de](http://www.balluff.de)

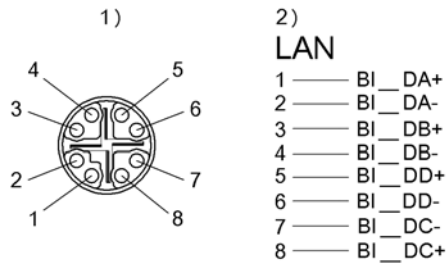
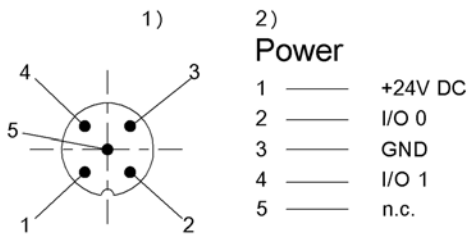
For more information about MTTF and B10d see MTTF / B10d Certificate

Indication of the MTTF- / B10d value does not represent a binding composition and/or life expectancy assurance; these are simply experiential values with no warranty implications. These declared values also do not extend the expiration period for defect claims or affect it in any way.

**Optical data**

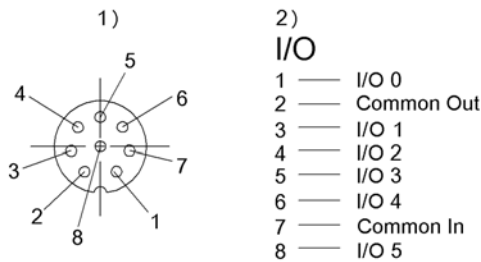
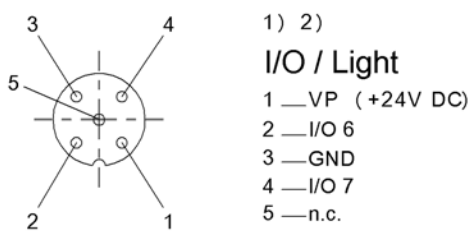
Image resolution	1280 x 1024 pixels
------------------	--------------------

**Connector view**



1) View towards connector  
 2) Connector 5-pin/ Function

1) View towards connector  
 2) Socket 8-pin/ Function



1) View towards connector  
 2) Female 5-pin/ Function

1) View towards connector  
 2) Socket 8-pin/ Function