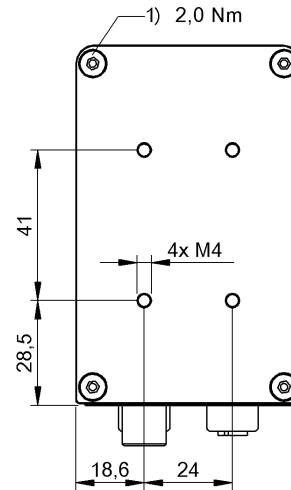
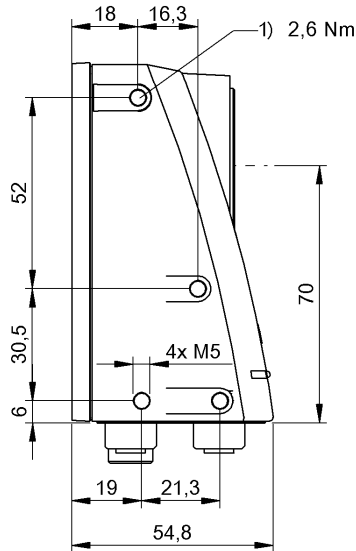
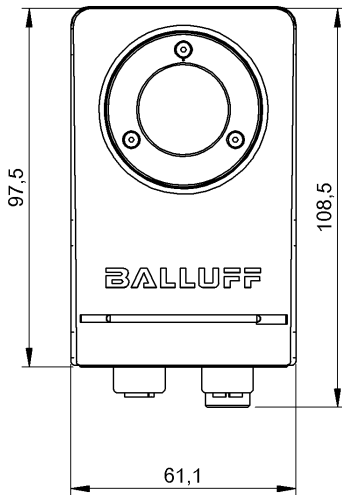
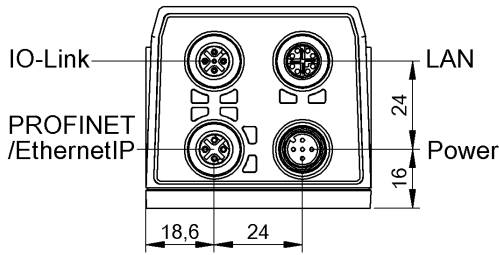


Machine Vision
BVS SC-M1280Z00-30-020
 Ordercode: BVS0033



1) Tightening torque



Electrical connection

Polarity reversal protected	yes
Short-circuit protection	yes

Electrical data

Data storage	4 GB
No-load current I _o max. at U _e	300 mA
Operating voltage U _b	19.2...28.8 VDC
Output current max.	1.2 A
Ripple max. (% of U _e)	5 %

Environmental conditions

Ambient temperature	0...55 °C
EN 60068-2-27, Shock	yes
EN 60068-2-6, Vibration	yes
Protection degree	IP67 with protection tube
Storage temperature	-25...70 °C

Functional Characteristics

2D codes	Aztec Code Data Matrix ECC 200 GS1 Aztec Code GS1 Data Matrix GS1 QR Code Micro QR Code PDF 417 QR code
Barcodes	GS1 Databar, GS1-128, UPC-A, UPC-E, EAN-8, EAN-13, 2/5 Industrial, 2/5 Interleaved, Codabar, Code 128, Code 39, Code 93, MSI, UPC-A, UPC-E
Detection rate typ.	max. 60 fps

Functional safety

MTTF (40 °C)	53 a
--------------	------

General data

Application	Object inspection Range Object detection Positioning
-------------	---

Machine Vision
BVS SC-M1280Z00-30-020
 Ordercode: BVS0033

Approval/Conformity
 Principle of operation

Barcode-, 2D-, OCR identification
 HDevelop script import
 CE
 UL-FILE E227256, Vol.X1, BIS
 SmartCamera

Sensor type Vision

CMOS 1/1.8" monochrome global shutter

Material

Housing material Aluminum
 Housing material, surface protection Painted

Mechanical data

Dimension 62 x 55 x 110 mm
 Weight 360.00 g

Optical data

Image resolution 1280 x 1024 pixels

Output/Interface

Interface LAN (Gigabit Ethernet)
 Profinet / EtherNet/IP
 IO-Link

Switching output 2x IO configurable

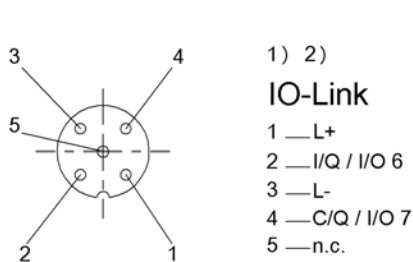
Remarks

Not included in scope of delivery: Protective tube, lens, filter, light, connection cable
 see www.balluff.de

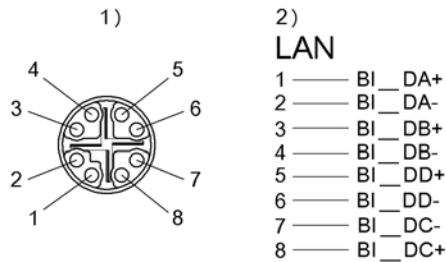
For more information about MTTF and B10d see MTTF / B10d Certificate

Indication of the MTTF- / B10d value does not represent a binding composition and/or life expectancy assurance; these are simply experiential values with no warranty implications. These declared values also do not extend the expiration period for defect claims or affect it in any way.

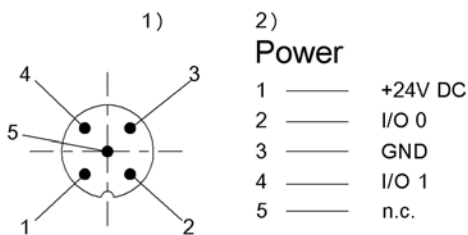
Connector view



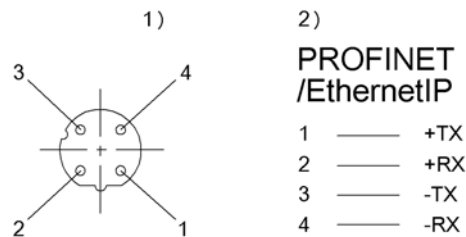
1) View towards connector
 2) Female 5-pin/ Function



1) View towards connector
 2) Socket 8-pin/ Function



1) View towards connector
 2) Connector 5-pin/ Function



1) View towards connector
 2) n Female 4-pin/ Function