

HIT-W101C

10.1" Healthcare/Hospitality Information Terminal



Features

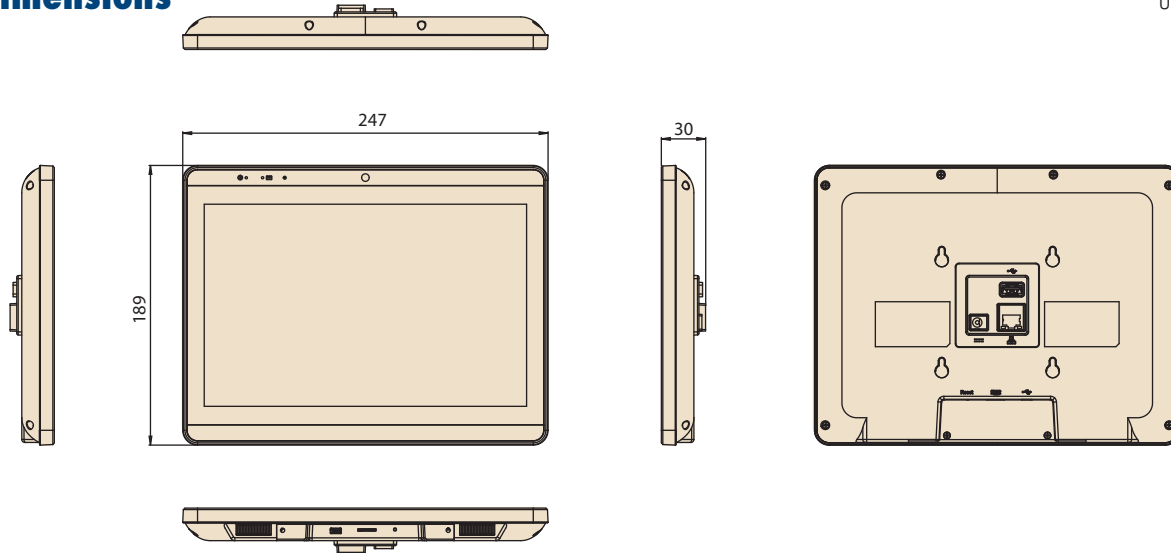
- Freescale iMX6 A9 Quad Core All-in-One computer
- 10.1" 16:10 display with P-Cap multi-touch operation
- 2MP camera for VOIP application
- High quality integrated microphone with Acoustic Echo Cancellation (AEC)
- Supports Power-over-Ethernet (PoE)
- Supports Android & Linux operating systems
- Available wall mount kit for various embedded applications

Specifications

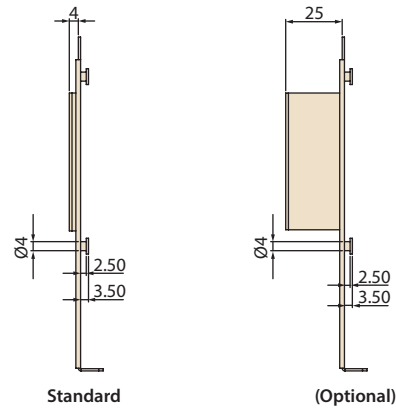
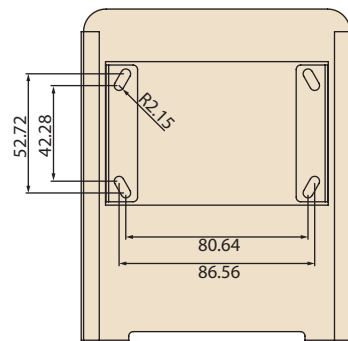
Computing System	CPU	Freescale iMX6 A9 QC 1GHz
	Memory	2GB DDR3
Display	Screen Size	10.1" TFT LCD
	Resolution	1280 x 800
	Touch Type	Projective capacitive multi-touch screen
Storage	Internal	8GB eMMC NAND Flash
	External	Micro SD, up to 64GB (Optional)
Audio	Stereo Codec	Freescale STGL5000 Stereo Codec with headset AMP
	ECHO Cancellation	ForteMedia FM2018WE-380 Highly integrated single chip AEC (acoustic echo cancellation) solution
Network	Wifi and Bluetooth	802.11 b/g/n and BT 4.0 or 802.11 ac/b/g/n and BT4.0 (All by Project Request Only)
Interface	Front	1 x 2MP Web Camera. (Optional change to RFID module) 1 x Microphone 2 x Speaker
	Rear	1 x USB 1 x Mini USB 1 x 1 x RJ45 with PoE Support (10/100/1000 Mbps) 1 x Micro SD slot 1 x DC-in Jack 1 x Reset button
Power	AC Adaptor	DC 12V / 2A
Environment	Temperature	Operating: 0 ~ +40 °C Storage: -20 ~ +60 °C
	Humidity	Operating: 10 ~ 95% @ 40 °C non-condensing Storage: 10 ~ 95% @ 40 °C non-condensing
	IP Rating	Front Panel: IP65
Physical Characteristics	Dimensions (W x H x D)	247 x 189 x 22 mm (9.72" x 7.44" x 0.87")
	Weight	740g (1.63 lb)
Operating System		Android 5.1 (Linux by Request)

Dimensions

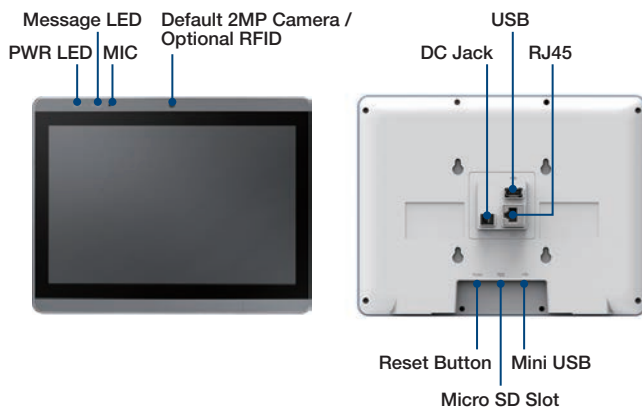
Unit: mm



Wall Mount Plate



Front/Rear View



Ordering Information

Part Number	CPU	Display/ Touch	Memory
HIT-W101CP-ATW1E	QC 1GHz	10.1" TFT 1280 x 800, P-CAP Multi-Touch w/ITE Adapter, w/CAM, w/Android 5.1	2GB

Wall Mount Plate

Part Number	Description	Qty
1960068243N001	Wall Mount Plate	1
1930002536-11	Screw M2.6*4L ST BZn NK	4
1930006775-01	Screw T#7-16*30L ST Ni	2

Accessories

Part Number	Description
HIT-W101-HSKE	Optional hand set kit for HIT-W101