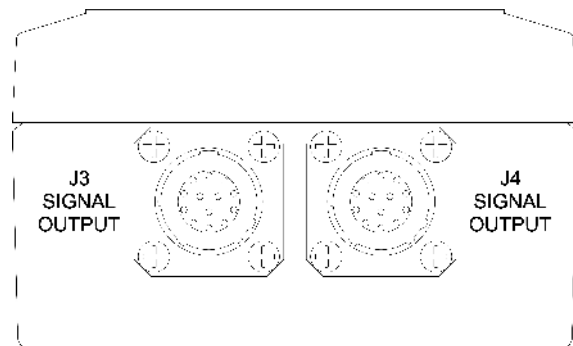
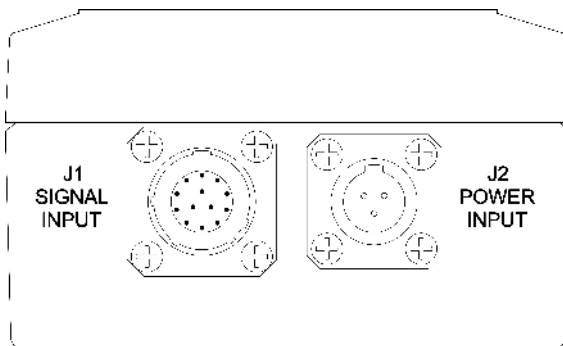


HAVEQUICK & 1PPS DISTRIBUTION AMPLIFIER (HQS)



HAVEQUICK and 1PPS Signal Distribution Amplifier 3 x 1PPS + 3 x HQ to ICD-GPS-060



AS9100D Certificate Number : C0210021-AS3



HAVEQUICK & 1PPS DISTRIBUTION AMPLIFIER (HQS)

Overview

The Havequick/1PPS Distribution Amplifier (HQS) is a small rugged, DC powered Havequick and 1PPS signal distribution module that is mounted in a 4" x 4" x 2.5" environmentally secure enclosure.

Designed for "fit and forget" operation, this compact, reliable module provides an elegant solution for the distribution of timing reference signals from embedded military GPS receivers, delivering an MTBF of up to 1 million hours operation depending upon configuration.

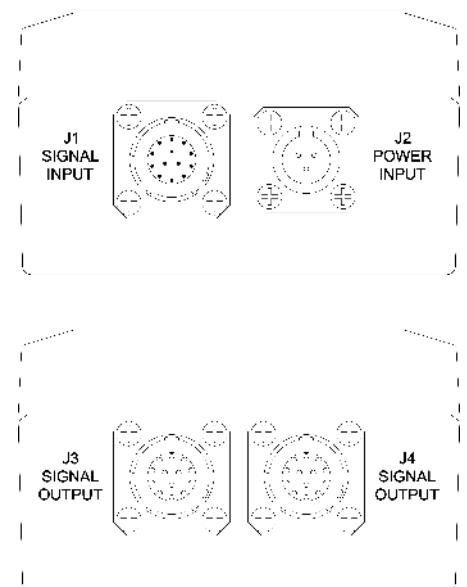
The unit may be configured for single ended or differential signals as required for the application (factory configured) and is available with various power input options.



Typical Applications

The HQS was developed to facilitate long cable runs of both 1PPS and Have Quick signals for ships or aircraft requiring these timing reference signals at multiple locations.

The tried and tested, ruggedised enclosure allows the the HQS to be placed in difficult environments and difficult to reach places on ships and aircraft.



HAVEQUICK & 1PPS DISTRIBUTION AMPLIFIER (HQS)



Specifications

Specifications - HAVE QUICK & 1PPS DISTRIBUTION AMPLIFIER - HQS

Signal Inputs	Details
Connector Type	D38999/20WB35PN
1PPS Input	0-10V per ICD-GPS-060 Input impedance : 50 Ohms
Have Quick Input	0-5V per ICD-GPS- 060 Input impedance : 2K Ohms
Signal Outputs	
Connector Type	D38999/20WB35SN
1PPS Outputs x 3	3 off Outputs with 0 - 10V per ICD-GPS- 060 Output impedance : 50 Ohms or Low Z
Have Quick Outputs x 3	3 off Outputs with 0 - 5V per ICD-GPS- 060 Output impedance : 2K Ohms
Power Input	
Connector Type	D38999/20WA98PN
Power Option 1	145 VDC to 162 VDC
Power Option 2	+15 VDC to 36 VDC
Power Consumption	< 5 Watts
Environmental	
Temperature	Operating : 0°C + 50°C Storage : -40°C + 85°C
Humidity	95 % non condensing
EMI	MIL-STD-46, CE102, CS101, CS114,CS116, RE101, RE102, RS101, RS103
Settling Dust	Base material coatings and surface treatments resilient to erosion.
Operational Vibration	Shipboard Type I MIL-STD-167-1A.
Transportation Vibration	MIL-STD-810F Method 514, Procedure I Categories 4, 7, 8, and 10.
Shock	MIL-STD-810F [3] Method 516 20g/15ms saw tooth pulse
Physical	
Dimension without connectors	3.94"x 3.94"x 2.36" (100mm x 100mm x 60mm)
Dimension with connectors	3.94"x 3.94"x 2.36" (100mm x 150mm x 60mm)
Reliability	
MTBF	> 1,000,000 hours
Ordering Information	
Pt No : 001-0282	Module HQ/1PPS DISTR, 6 way 15 - 36VDC Input