

MIC-711-0N

AI Inference System Based on NVIDIA® Jetson Orin™ Nano

NEW



Features

- Fanless and ultra-compact design
- Embedded with NVIDIA® Jetson Orin™ Nano up to 40 TOPS
- Supports 1 x GbE, 2 x USB 3.2 Gen 1 (5 Gbit/s)
- Supports 1 x mPCIe, 1 x M.2 3052, 1 x M.2 2280
- Supports Allxon 24/7 remote monitoring and OTA deployment

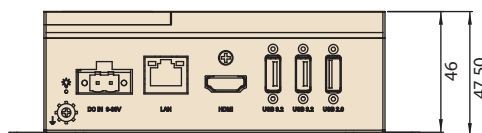
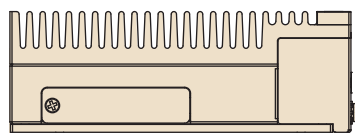
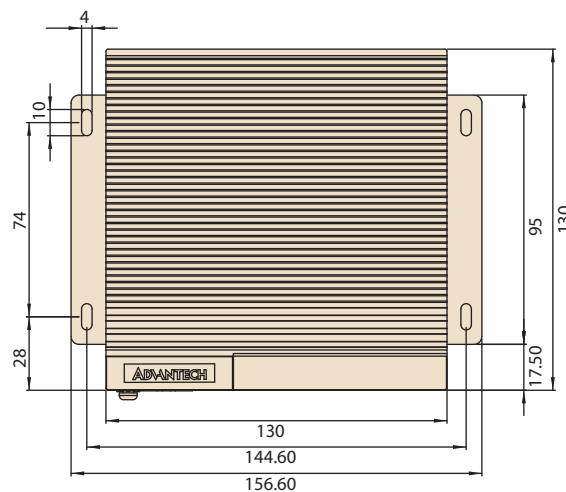
Specifications

		NVIDIA® Jetson Orin™ Nano
Processor System	CPU	6-core Arm® Cortex®-A78AE v8.2 64-bit CPU 1.5MB L2 + 4MB L3
	GPU	8G: 1024-core NVIDIA Ampere architecture GPU with 32 Tensor Cores 4G: 512-core NVIDIA Ampere architecture GPU with 16 Tensor Cores
	Memory	8GB: 8GB LPDDR5 4GB: 4GB LPDDR5
	Flash	-
I/O	Ethernet	1 x 10/100/1000 Mbps
	Display	HDMI (Max. resolution 3840x2160 @ 60Hz)
	USB	External: 2 x USB 3.2 Gen 2, 1 x USB 2.0 Internal: 1 x USB 2.0 (by pin header)
	OTG USB	1 x Micro USB
Expansion	Mini PCIe	1 x mPCIe (Signal: PCIe + USB 2.0)
	M.2	1 x M.2 3052 (B-Key, Signal: USB)
	SIM	2 x Nano SIM slots
Storage	M.2	1 x M.2 2280 (M-Key, NVMe, Signal: PCIe x4)
	SD Card	1 x Micro SD
Power	Mode	Terminal block, 2-pin, AT
	Input Voltage	9 ~ 36 V _{DC}
Environment	Operating Temperature*	-10 ~ 60 °C with 0.7 m/s air flow
	Operating Humidity	95% @ 40 °C (non-condensing)
	Vibration	3 Grms @ 5 ~ 500 Hz, random, 1 hr/axis
	Shock	10G / 11ms
Mechanical	Dimensions (W x D x H)	130 x 130 x 46 mm (5.1" x 5.1" x 1.8")
	Weight	1.2 kg (2.65 lb)
	Installation	Desktop / Wall mount
BSP	Jetpack	Above 5.1
Certifications		CB/UL/CE/FCC/BSMI/CCC (No RED certification)

*Depending on the installation situation and interface connection. Derating of max. operating temp. is possible when using the cellular LTE module. Please see the user documentation.

Dimensions

Unit: mm



Ordering Information

Part Number	NVIDIA Module	NVIDIA Module Memory	NVIDIA Module eMMC	NVMe
MIC-711-ON3A1	Orin Nano	8G	NA	128GB (pre-installed system BSP)
MIC-711-ON2A1	Orin Nano	4G	NA	128GB (pre-installed system BSP)

Packing List

Part Number	Description	Quantity
MIC-711-ON	AI inference system	1
1652002202	Power connector — 2-pin	1
1700023619-01	Micro USB cable for system recovery	1
1960095312N001	Mounting bracket	2
1930007979	Bracket screw	4
1930005673-11	M.2 screw	2
1930008089	Mini PCIe screw	2

Optional

Part Number	Description
96PSA-A65W19P2-1	Power Adapter 100-240V 65W 19V
1700001524	Power Cord UL 3P 10A 125V 183 cm (US)
170203183C	Power Cord EU 3P 2.5A 250V 183 cm (EU)
170203180A	Power Cord BSI 3P 2.5A 250V 183 cm (UK)
1702031836	Power Cord SAA 3P 10A 250V 183 cm (AU)
1700008921	Power Cord PSE 3P 7A 125V 183 cm (Japan)
1700019146	Power Cord CCC 3P 2.5A 250V 183 cm (China)
98RV710AL00	Allxon OOB module (By adding 98RVC711001)
968DD00294	2ch GMSL SW video card (By adding 98RVC711001)
98RVC711001	Expansion kit_GMSL_idoor
98RVC711010	MIC-711 DIN rail kit

Front View

