

# UNO-247

Intel® Celeron J3455 processor  
IoT Edge Computer, with 2 x LAN,  
6 x COM, 4 x USB, 1 x HDMI, 1 x VGA

NEW



## Specifications

### General

- **Certification** CE, FCC, UL, CCC, BSMI
- **Dimensions (W x D x H)** 200 x 140 x 50 mm (7.8" x 5.5" x 1.9")
- **Form Factor** Regular Size
- **Enclosure** Aluminum Housing
- **Mounting** Stand Mount, DIN-Rail (Optional)
- **Weight (Net)** 1.0kg (2.2lbs)
- **Power Requirement** 12V<sub>DC</sub>
- **Power Consumption** 17W (Typical), 31W (Max)
- **OS Support** Win10 2019 LTSC, Advlinux

### System Hardware

- **BIOS** AMI UEFI64 Mbit
- **Watchdog Timer** Programmable 255 levels timer interval, from 1 to 255 sec
- **TPM** Support by project
- **Processor** Intel® Apollo Lake Celeron® J3455 1.5GHz
- **Memory** 1 x slot (DDR3L SO-DIMM support up to 8GB)
- **Graphics Engine** Intel HD Graphics
- **Ethernet** 10/100/1000 Mbps Realtek RTL8111G-CG
- **LED Indicators** LEDs for Power and HDD
- **Storage** 1 x mSATA (full size)  
1 x drive bay for SATA 2.5" HDD  
(Compatible with 9.5mm height HDD)
- **Expansion** 1 x Full size mPCIe slot (PCIe/ USB Signal)  
1 x M.2 (2230, E Key)  
1 x Micro SIM card slot

### I/O Interfaces

- **Serial Ports** 4 x RS232  
2 x RS485 DB9, 50bps ~ 115.2kbps
- **LAN Ports** 2 x RJ45, 10/100/1000 Mbps IEEE 802.3u  
1000BASE-T Fast Ethernet
- **USB Ports** 2 x USB 3.0, 2 x USB 2.0
- **Displays** 1 x HDMI 1.4b (3840x2160@30Hz)  
1 x VGA (1920x1080@60Hz)
- **Power Connector** 1 x Lockable DC Jack
- **Audio** 1 x Line out (optional)

## Features

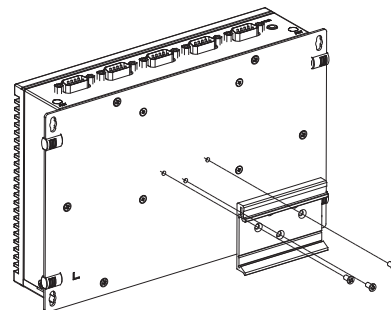
- Intel® Celeron® J3455 processor
- Robust design with high stability
- 2 x GbE, 2 x USB3.0, 2 x USB2.0, 4 x RS232, 2 x RS485, 1 x HDMI, 1 x VGA
- Compact size with fanless design
- Rubber stopper design for stand mount and optional kit for DIN-rail mount.
- Optional 3G/GPS/GPRS/Wi-Fi communication
- Threaded DC Jack design for more steady power supply
- Optimized mechanical design for easier RAM swapping

### Environment

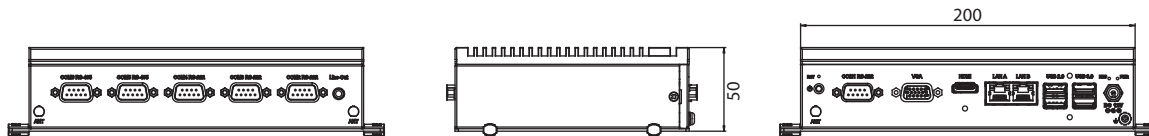
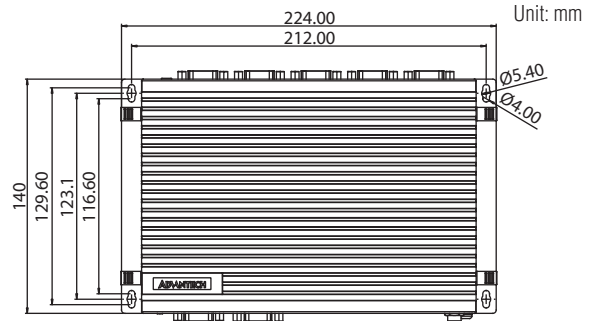
- **Operating Temperature** 0~50°C with 0.7m/s air flow  
-20 ~ 60°C with 0.7m/s air flow (With extended temperature peripherals, refer to optional memory list on page 2)
- **Storage Temperature** -40 ~ 85°C ( -40 ~ 185°F)
- **Relative Humidity** 10 ~ 95% RH @ 40°C, non-condensing
- **Shock Protection** Operating, IEC 60068-2-27, 50G, half sine, 11ms
- **Vibration Protection** Operating, IEC 60068-2-64, 3Grms, random, 5 ~ 500Hz, 1hr/axis (mSATA)  
Operating, IEC 60068-2-64, 0.5Grms, random, 5 ~ 500Hz, 1hr/axis (HDD)

## Installation Scenario

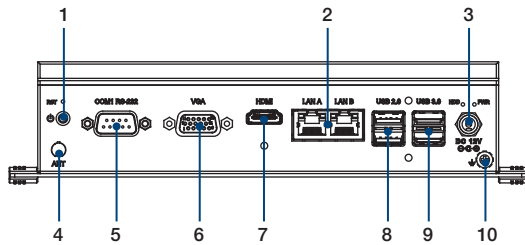
### DIN-rail Mount Illustration (with optional DIN-rail kit)



## Dimensions

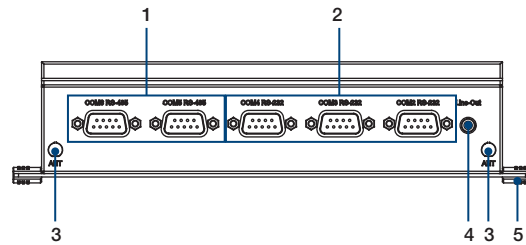


## Front I/O View



1. Power Button
2. RJ45 LAN
3. DC Power
4. Reserved Antenna Hole
5. RS-232
6. VGA
7. HDMI
8. USB 2.0
9. USB 3.0
10. Chassis Grounding

## Rear I/O View



1. RS-485
2. RS-232
3. Reserved Antenna Hole
4. Line Out (Optional)
5. Rubber Stopper

## Ordering Information

|                       | Ordering Part Number | CPU                 | Max. Frequency | Memory | Storage | OS               | COM                  | USB                      | Display           |
|-----------------------|----------------------|---------------------|----------------|--------|---------|------------------|----------------------|--------------------------|-------------------|
| With Audio Version    | UNO-247-J1N1AE       | Intel Celeron J3455 | 1.5GHz         | NA     | NA      | NA               | 4 x RS232, 2 x RS485 | 2 x USB 3.0, 2 x USB 2.0 | 1 x HDMI, 1 x VGA |
|                       | UNO-247-J121W10      | Intel Celeron J3455 | 1.5GHz         | 4G     | 64G SSD | Win 10 2019 LTSC | 4 x RS232, 2 x RS485 | 2 x USB 3.0, 2 x USB 2.0 | 1 x HDMI, 1 x VGA |
| Without Audio Version | UNO-247-J1N1AO       | Intel Celeron J3455 | 1.5GHz         | NA     | NA      | NA               | 4 x RS232, 2 x RS485 | 2 x USB 3.0, 2 x USB 2.0 | 1 x HDMI, 1 x VGA |

## Optional Memory List

| System operating Temperature | Memory capacity | Memory P/N         |
|------------------------------|-----------------|--------------------|
| 0~50°C                       | 2GB             | AQD-SD3L2GN16-SQ1  |
|                              | 4GB             | AQD-SD3L4GN16-SG1  |
|                              | 8GB             | AQD-SD3L8GN16-SG1  |
| -20~60°C                     | 2GB             | SQR-SD3I-2G1K6SNLB |
|                              | 4GB             | SQR-SD3I-4G1K6SNLB |
|                              | 8GB             | SQR-SD3I-8G1K6SNLB |

## Packing list

| Part Number      | Description                     |
|------------------|---------------------------------|
| 96PSA-A36W12W7-5 | ADP A/D 100-240V 36W 12V WO/PFC |

## Optional Accessories

- 1700001524 Power Cable 3-pin 1.8M, USA type
- 170203183C Power Cable 3-pin 1.8M, Europe type
- 170203180A Power Cable 3-pin, 1.8M, UK type
- UNO-400-DMKAE DIN Rail Kit
- UNO-2000G-VMKAE UNO & FPM integration VESA Mount kit

## Embedded Image

- 20703WX9ES0027 Img WIN10LTSC x64 V6.05 B023 UNO-247 Entry image AdvLinuxTu V2.1.0
- 20703LEB1S0101