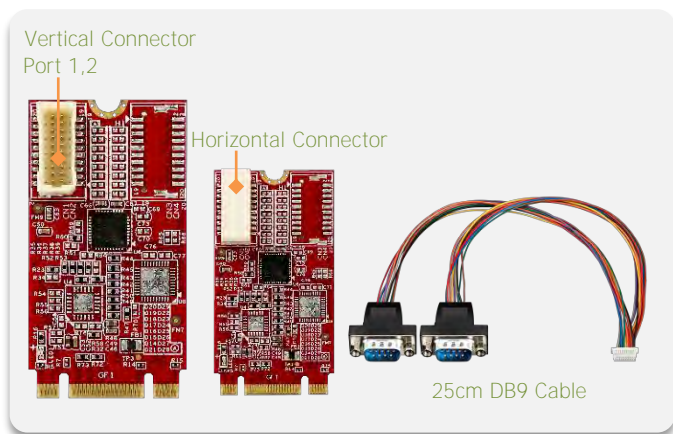


EGP2-X203

M.2 2242 to dual RS-232 Module

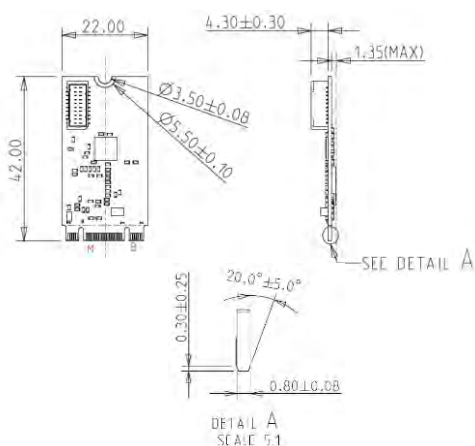


Features

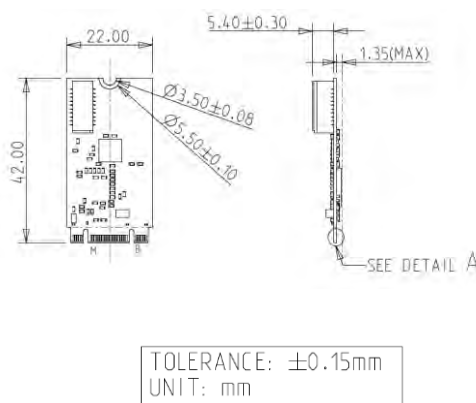
- PCI Express base spec 1.1 compliant
- 4800bps to 921.6Kbps serial data rate
- Compatible with 16C550/16C650/16C750/16C850 & 16C950, 128-byte FIFOs
- Alternative vertical or horizontal connector
- Full RS-232 functions with DB9 connector
- Complies with EN61000-4-2 (ESD) Air-15kV, Contact-8kV
- Industrial temperature -40 °C to 85 °C
- 30μ" golden finger, 3-year warranty
- Industrial design, manufactured in innodisk Taiwan

Mechanical Drawing

EGP2-X203-W1 (Vertical Connector)



EGP2-X203-W2 (Horizontal Connector)



TOLERANCE: ±0.15mm
UNIT: mm

DB9 Pin define	
Pin	RS-232
1	DCD
2	RX
3	TX
4	DTR
5	GND
6	DSR
7	RTS
8	CTS
9	RI

Specifications

Form-Factor	M.2 2242 B-M
Input I/F	PCI Express 1.1
Output I/F	RS-232
Output Connector	DB-9 x 2
Power Consumption	MAX: 1.55W (3.3V x 472mA)
Dimension (WxLxH)	Vertical: 22 x 42 x 6.83mm Horizontal: 22 x 42 x 7.93mm
Temperature	Operation: W/T: -40°C ~ +85°C Storage: -55°C ~ +95°C
Environment	Vibration: 5G @7~2000Hz, Shock: 50G @ 0.5ms
Notes	Please download driver from MyInnodisk website. Windows: 7(32/64 bit), 10 Linux: Kernel 2.6.38 and above

Order information

- EGP2-X203-W1 (Vertical connector, Wide Temp.)
- EGP2-X203-W2 (Horizontal connector, Wide Temp.)
- M.2 2242 to dual RS232 Module