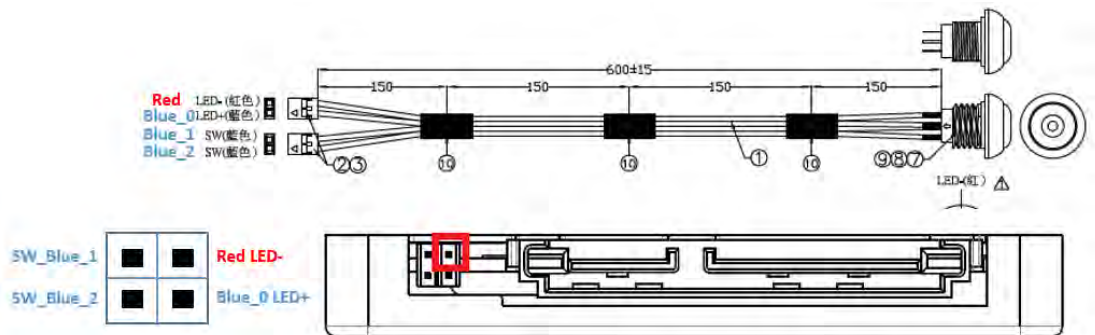
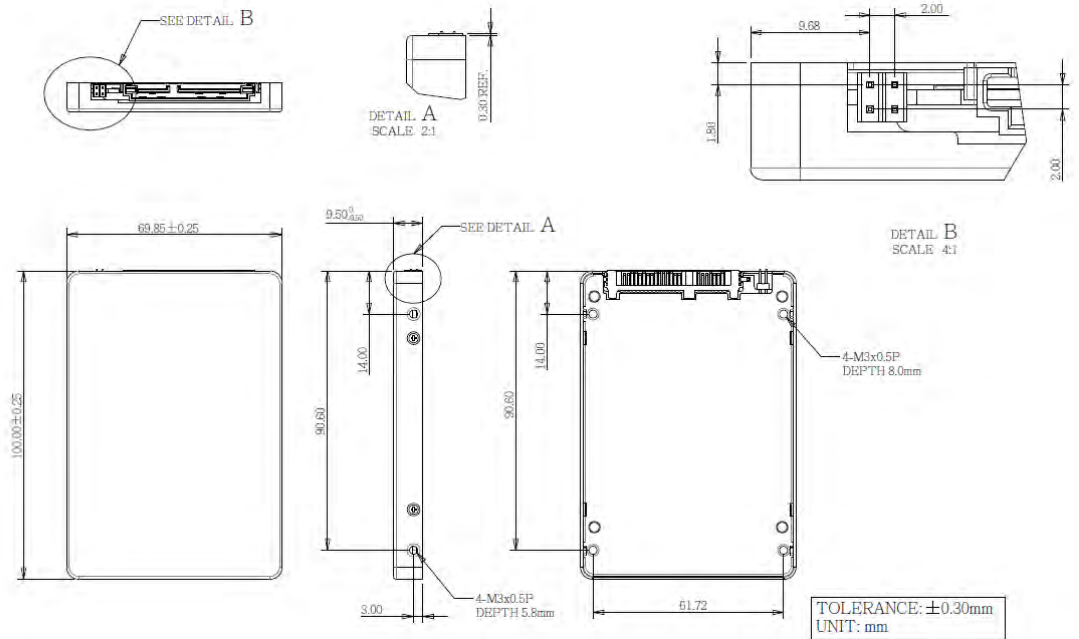


Product Dimension



Main feature of InnoOSR family is its OS back up and swift recovery mechanism, which allow field repair easier than ever for malfunction systems with software level damages. As shown in above picture, 2 x 2 pin headers located on the side of standard 7 + 15 pins SATA connector can be used to interact with firmware of InnoInnoAvicse to perform OS recovery process and provide LED signal which indicates the recovery status.

Product Specification

Interface	SATA III
Flash Type	3D TLC
Capacity	32GB~1TB
Flash Endurance	3,000 P/E cycles
Max. Channels	4
Sequential R/W (MB/sec, max.)*	560 / 330 MB/s
4KB Random (QD32) R/W (IOPS)**	79,000/69,000
Max. Power Consumption	3.5W
Thermal Sensor	√
ATA Security	√
S.M.A.R.T.	√
Dimension (WxLxH)	69.85 X 100.00 X 7.00 mm
Environment	Vibration: 20G @7~2000Hz Shock: 1500G @ 0.5ms Storage Temperature: -55°C to +95°C MTBF: 3 million hours
* Performance based on CrystalDiskMark 5.1.2 with file size 1000MB	

Ordering Information

Capacity	Standard Temperature (0°C~70°C)	Industrial Temperature (-40°C~85°C)
32GB	DUS25-32GDK1EC1SFXXG	DUS25-32GDK1EW1SFXXG
64GB	DUS25-64GDK1EC1DFXXG	DUS25-64GDK1EW1DFXXG
128GB	DUS25-A28DK1EC1QFXXG	DUS25-A28DK1EW1QFXXG
256GB	DUS25-B56DK1EC1QFXXG	DUS25-B56DK1EW1QFXXG
512GB	DUS25-C12DK1EC1QFXXG	DUS25-C12DK1EW1QFXXG
1TB	DUS25-01TDK1EC1QFXXG	DUS25-01TDK1EW1QFXXG
Note	1. XXG: 10G-30G 2. Push-button cable with green LED is with PN of 7W3000000870 and not included in above standard InnoOSR product PN but can be order separately for trial purpose	