



# M.2 (S42) 3IEB

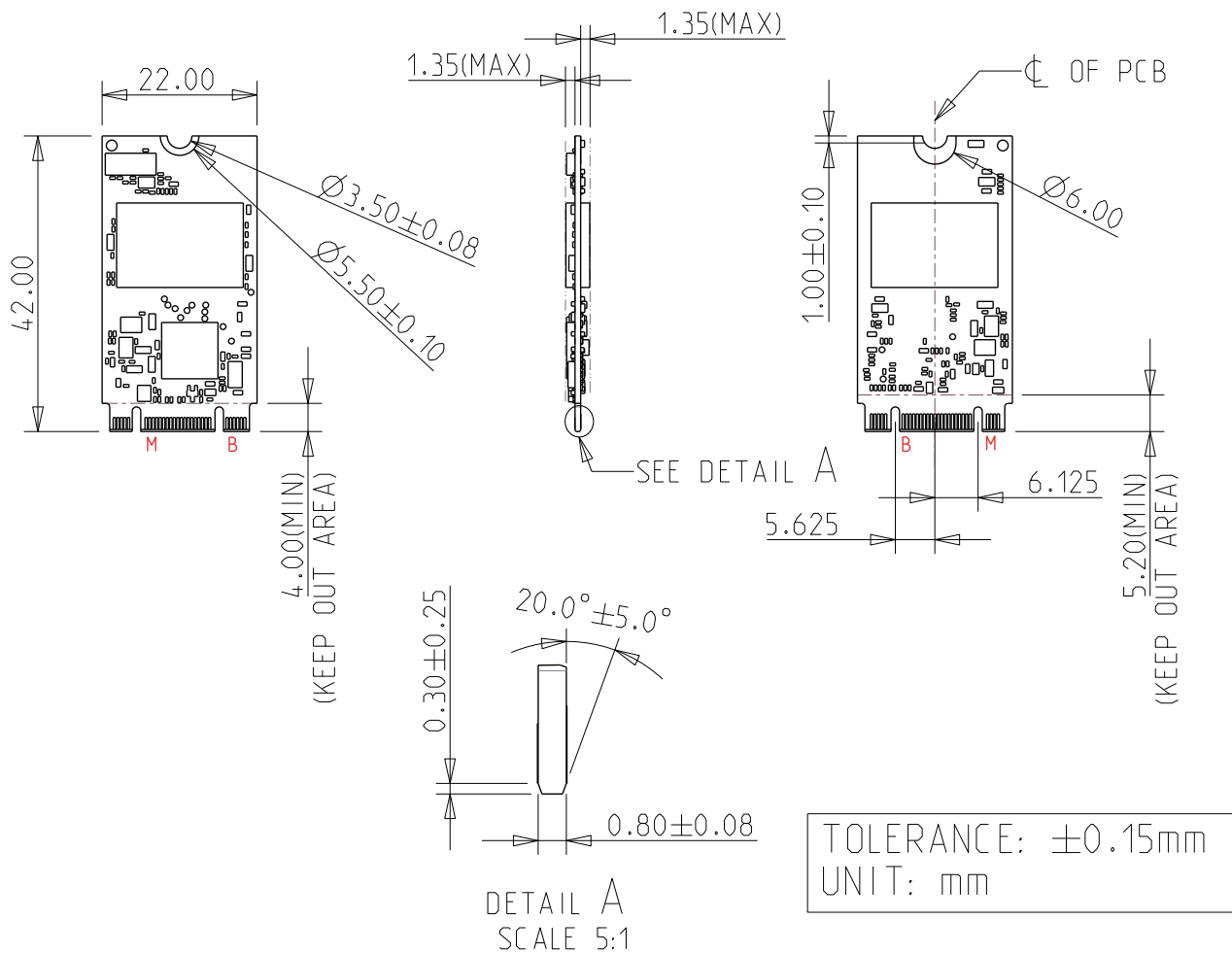
## HIGHLIGHT FEATURES

- Up to 100K P/E cycle, extending the lifespan by 33x
- Equipped with 112 layer 3D TLC NAND Flash
- Utilizes Ultra iSLC Technology
- iPower Guard & iData Guard supported
- 5 year warranty

## SPECIFICATIONS

<b>Model Name</b>	M.2 (S42) 3IEB
<b>Flash Type</b>	iSLC (3D TLC)
<b>Interface</b>	SATA III 6.0 Gb/s
<b>Form Factor</b>	M.2 2242 B+M Key
<b>Capacity</b>	20GB ~ 320GB
<b>Sequential R / W (MB/sec, max.)</b>	550 / 500
<b>P/E Cycle</b>	100,000
<b>TBW (Max.)</b>	20,000
<b>Storage Temperature</b>	-40°C ~ 85°C
<b>Max. Power Consumption</b>	1.2W
<b>Max. Channels</b>	2
<b>External DRAM Buffer</b>	N
<b>H/W Write Protect</b>	N
<b>S.M.A.R.T.</b>	Y
<b>AES</b>	N
<b>TCG Opal</b>	N
<b>Dimension (W x L x H/mm)</b>	22.0 x 42.0 x 3.5
<b>Vibration</b>	20G@[7 ~ 2000Hz]
<b>Shock</b>	1500G@0.5ms
<b>MTBF</b>	>3 million hours
<b>Warranty</b>	5 Years

## DIAGRAM



## ORDER INFO.

Operating Temperature	Standard Grade (0°C ~ 70°C)	Industrial Grade (-40°C ~ 85°C)
20GB	DHM24-20GIC1KASL	DHM24-20GIC1KWASL
40GB	DHM24-40GIC1KADL	DHM24-40GIC1KWADL
80GB	DHM24-80GIC1KADL	DHM24-80GIC1KWADL
160GB	DHM24-A60IC1KADL	DHM24-A60IC1KWADL
320GB	DHM24-D2GIC1KADL	DHM24-D2GIC1KWADL