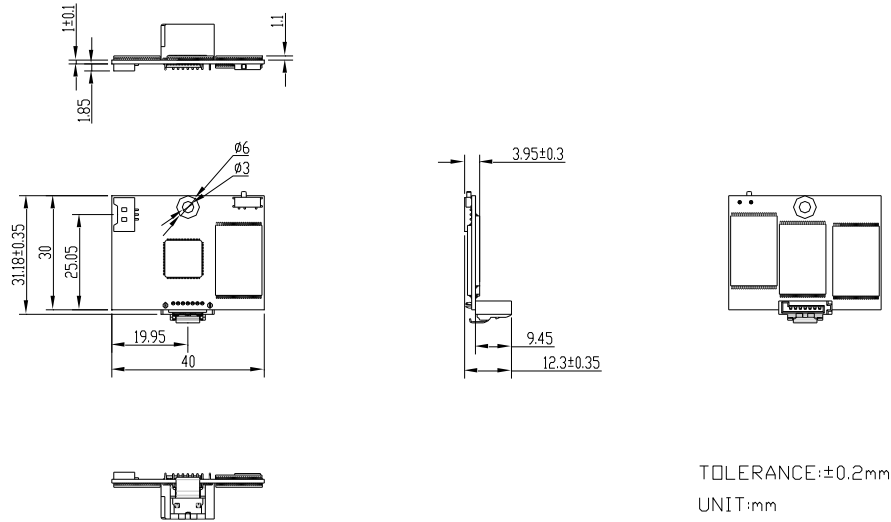


SATADOM-MH

3ME3 series

Diagram



Dimension tolerance: $\pm 0.2\text{mm}$

Specifications

Interface	SATA III
Flash Type	MLC
Capacity	8GB~128GB
Max. Channels	2
Sequential R/W (MB/sec, max.)	300/150
Max. Power Consumption	2A (5V x 400mA)
Thermal Sensor	ST- Optional/ WT- Default
External DRAM buffer	-
H/W Write Protect	✓
ATA Security	✓
S.M.A.R.T.	✓
Dimension (WxLxH)	40.0 X 31.18 X 12.3 mm
Environment	Vibration: 20G @7~2000Hz Shock: 1500G @ 0.5ms Storage Temperature: -55°C ~ +95°C MTBF: 3 million hours

Ordering Information

Operation Temp.	8GB	16GB	32GB	64GB	128GB
Standard Grade (0°C ~ +70°C)	DESMH-08GD09SC1SC(F) DESMH-08GD09BC1SC(F)	DESMH-16GD09SC1DC(F) DESMH-16GD09BC1SC(F)	DESMH-32GD09SC1DC(F) DESMH-32GD09BC1DC(F)	DESMH-64GD09SC1DC(F) DESMH-64GD09BC1DC(F)	DESMH-A28D09SC1DC(F) DESMH-A28D09BC1DC(F)
Industrial Grade (-40°C ~ +85°C)	DESMH-08GD09SW1SC(F) DESMH-08GD09BW1SC(F)	DESMH-16GD09SW1DC(F) DESMH-16GD09BW1SC(F)	DESMH-32GD09SW1DC(F) DESMH-32GD09BW1DC(F)	DESMH-64GD09SW1DC(F) DESMH-64GD09BW1DC(F)	DESMH-A28D09SW1DC(F) DESMH-A28D09BW1DC(F)

*S: Toshiba A19 nm MLC/ B: Toshiba 15nm MLC

PN end with F is SATADOM Pin 7 with power supply version, which doesn't provide power cable.