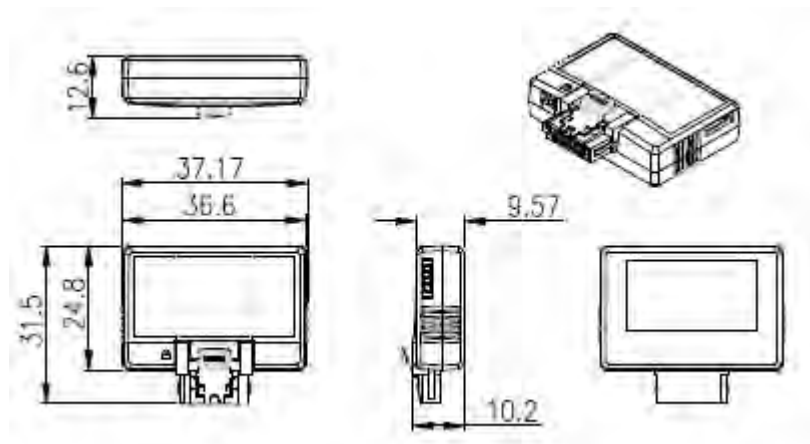


# SATADOM-ML

## 3TG6-P series

### Diagram



Dimension tolerance:  $\pm 0.2\text{mm}$

### Specifications

|                               |   |
|-------------------------------|---|
| Interface                     | SATA III  |
| Flash Type                    | 3D TLC  |
| Capacity                      | 128GB~256GB   |
| Max. Channels                 | 4   |
| Sequential R/W (MB/sec, max.) | 560/90  |
| Max. Power Consumption        | 2.14W (5V x 428mA )   |
| Thermal Sensor                | √   |
| Extended DRAM buffer          | √   |
| H/W Write Protect             | √   |
| ATA Security                  | √   |
| S.M.A.R.T.                    | √   |
| Dimension (WxLxH)             | 37.17 x 31.5 x 10.2 mm  |
| Environment                   | Vibration: 20G @7~2000Hz<br>Shock: 1500G @ 0.5ms<br>Storage Temperature: -55°C ~ +95°C<br>MTBF: 3 million hours |

### Ordering Information

|                                     | 128GB                  | 256GB                   |
|-------------------------------------|------------------------|-------------------------|
| Standard Grade<br>(0°C ~ +70°C)     | DGSML-<br>A28M71ECAQF* | DGSML-<br>B56M71ECAQF*  |
| Industrial Grade<br>(-40°C ~ +85°C) | DGSML-<br>A28M71EWAQF* | DGSML-<br>B56M71EWAQF * |

\* = A: Pin8+ power cable

\* = B: Pin8+ Pin 7