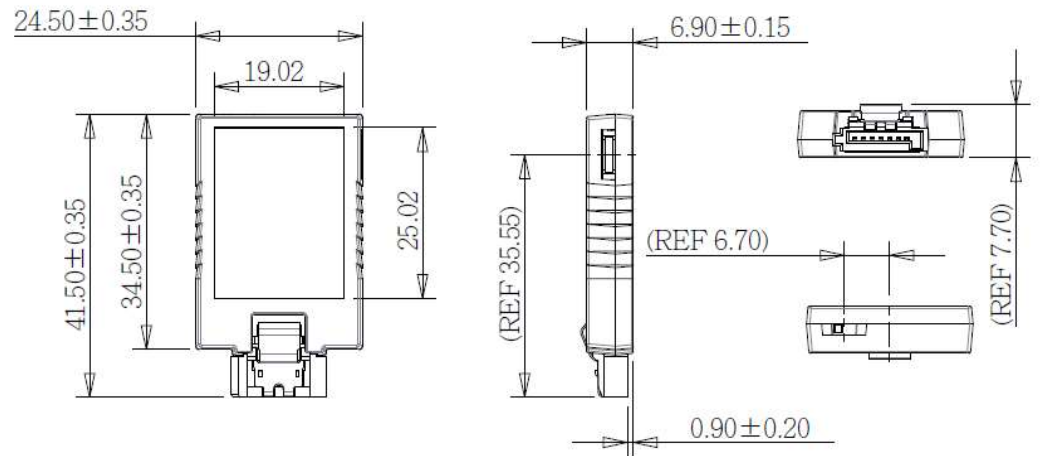


# SATADOM-MV

## 3ME3 series

### Diagram



UNIT: mm

### Specifications

Interface	SATA III
Flash Type	MLC
Capacity	8GB~128GB
Max. Channels	4
Sequential R/W (MB/sec, max.)	220 / 80
Max. Power Consumption	1.8W (5V x 370mA )
Thermal Sensor	ST- Optional/ WT- Default
External DRAM buffer	-
H/W Write Protect	√
ATA Security	√
S.M.A.R.T.	√
Dimension (WxLxH)	25.2 X 41.5 X 6.8 mm
Environment	Vibration: 20G @7~2000Hz Shock: 1500G @ 0.5ms Storage Temperature: -55°C ~ +95°C MTBF: 3 million hours

### Ordering Information

Operation Temp.	8GB	16GB	32GB	64GB	128GB
Standard Grade (0°C ~ +70°C)	DESMV-08GD09*C1SC(F)	DESMV-16GD09*C1DC(F)	DESMV-32GD09*C1DC(F)	DESMV-64GD09*C1DC(F)	DESMV-A28D09*C1DC(F)
Industrial Grade (-40°C ~ +85°C)	DESMV-08GD09*W1SC(F)	DESMV-16GD09*W1DC(F)	DESMV-32GD09*W1DC(F)	DESMV-64GD09*W1DC(F)	DESMV-A28D09*W1DC(F)

\*S: Toshiba A19 nm MLC/ B: Toshiba 15nm MLC

PN end with F is SATADOM Pin 7 with power supply version, which doesn't provide power cable.