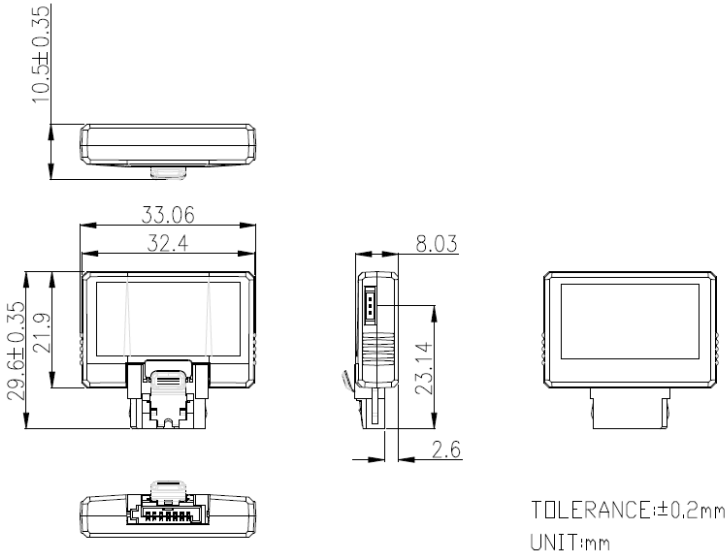


# SATADOM-SL

## 3IS4 series

### Diagram



### Specifications

Interface	SATA III
Flash Type	iSLC
Capacity	16GB~64GB
Max. Channels	2
Sequential R/W (MB/sec, max.)	530/350
Max. Power Consumption	1.02W (5V x 204mA )
Thermal Sensor	√
Extended DRAM buffer	-
H/W Write Protect	-
ATA Security	√
S.M.A.R.T.	√
Dimension (WxLxH)	33.06 x 29.6 x 10.5 mm
Environment	Vibration: 20G @7~2000Hz Shock: 1500G @ 0.5ms Storage Temperature: -55°C ~ +95°C MTBF: 3 million hours

### Ordering Information

	16GB	32GB	64GB
Standard Grade (0°C ~ +70°C)	DSSSL-16GM413CADC*	DSSSL-32GM413CADC*	DSSSL-64GM413CADC*
Industrial Grade (-40°C ~ +85°C)	DSSSL-16GM413WADC*	DSSSL-32GM413WADC*	DSSSL-64GM413WADC*

\*=A-> Pin 8+ power cable

\*=B-> Pin 8+ Pin 7