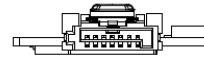
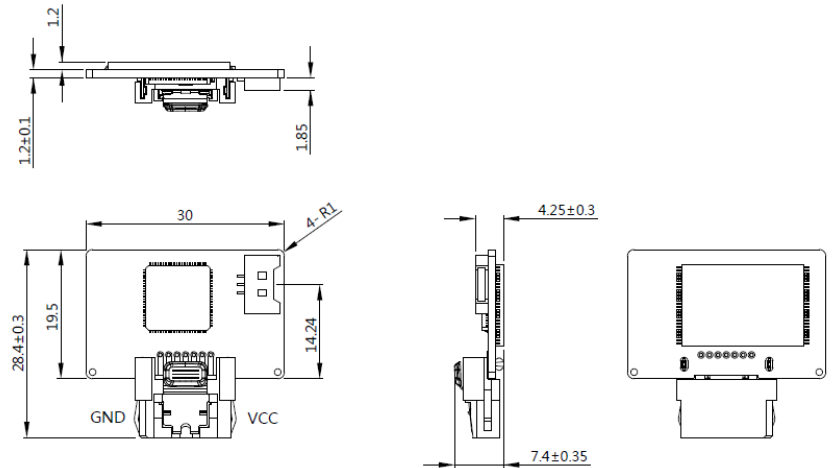


# SATADOM-SL

## 3ME3 V2 series

### Diagram



TOLERANCE : ±0.20 mm

General Tolerance: ±0.2mm

### Specifications

Interface	SATA III
Flash Type	MLC
Capacity	8GB~128GB
Max. Channels	2
Sequential R/W (MB/sec, max.)	200 / 80
Max. Power Consumption	1.8W (5V x 370mA)
Thermal Sensor	WT only
External DRAM buffer	-
H/W Write Protect	-
ATA Security	√
S.M.A.R.T.	√
Dimension (WxLxH)	30 X 28.4 X 7.4 mm
Environment	Vibration: 20G @7~2000Hz Shock: 1500G @ 0.5ms Storage Temperature: -55°C ~ +95°C MTBF: 3 million hours

### Ordering Information

Operation Temp.	8GB	16GB	32GB	64GB	128GB
Standard Grade (0°C ~ +70°C)	DESSL-08GD09*C1SCA	DESSL-16GD09*C1SCA	DESSL-32GD09*C1SCA	DESSL-64GD09*CADC A	DESSL-A28D09*CADC A
	DESSL-08GD09*C1SCB	DESSL-16GD09*C1SCB	DESSL-32GD09*C1SCB	DESSL-64GD09*CADC B	DESSL-A28D09*CADC B
Industrial Grade (-40°C ~ +85°C)	DESSL-08GD09*W1SCA	DESSL-16GD09*W1SCA	DESSL-32GD09*W1SCA	DESSL-64GD09*WADC A	DESSL-A28D09*WADC A
	DESSL-08GD09*W1SCB	DESSL-16GD09*W1SCB	DESSL-32GD09*W1SCB	DESSL-64GD09*WADC B	DESSL-A28D09*WADC B

\* S: Toshiba A19nm MLC / B: Toshiba 15nm MLC  
PN end with A: Pin8+ power cable / B: Pin8+ Pin 7