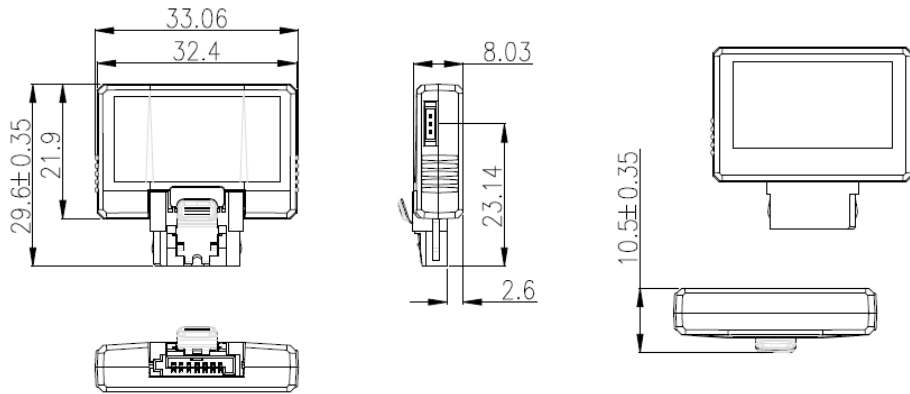


# SATADOM-SL

## 3SE3 series

### Diagram



TOLERANCE:±0.2mm

UNIT:mm

### Specifications

Interface	SATA III
Flash Type	SLC
Capacity	4GB~32GB
Max. Channels	2
Sequential R/W (MB/sec, max.)	220/110
Max. Power Consumption	0.75W (5V x 150mA )
Thermal Sensor	ST- Optional/ WT- Default
Extended DRAM buffer	-
H/W Write Protect	-
ATA Security	√
S.M.A.R.T.	√
Dimension (WxLxH)	29.6 x 33.06 x 10.5 mm
Environment	Vibration: 20G @7~2000Hz Shock: 1500G @ 0.5ms Storage Temperature: -55°C ~ +95°C MTBF: 3 million hours

### Ordering Information

	4GB	8GB	16GB	32GB
Standard Grade (0°C ~ +70°C)	DESSL-04GD09SCADB*	DESSL-08GD09SCADB*	DESSL-16GD09SCADB*	DESSL-32GD09SCADB*
Industrial Grade (-40°C ~ +85°C)	DESSL-04GD09SWADB*	DESSL-08GD09SWADB*	DESSL-16GD09SWADB*	DESSL-32GD09SWADB*

\*=A-> Pin 8+ power cable

\*=B-> Pin 8+ Pin 7