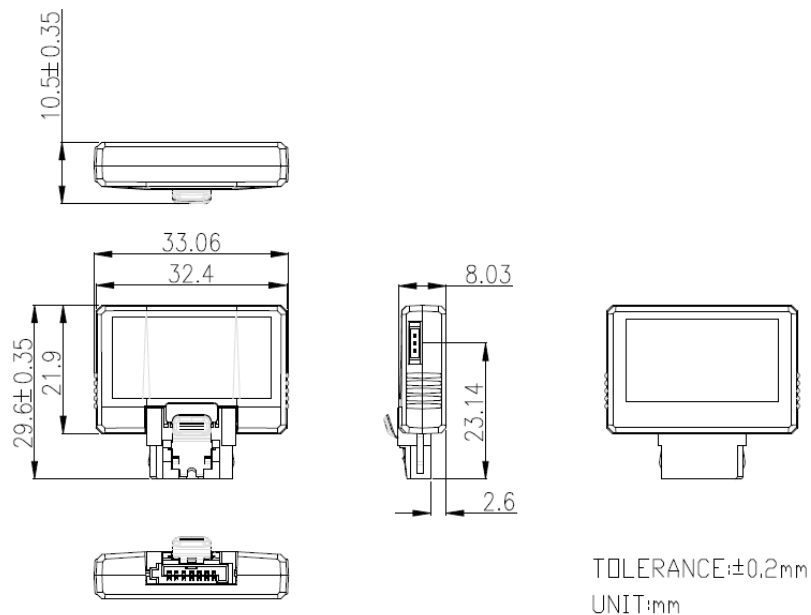


SATADOM-SL

3SE4 series

Diagram



Specifications

Interface	SATA III
Flash Type	SLC
Capacity	8GB~32GB
Max. Channels	2
Sequential R/W (MB/sec, max.)	520/ 260
Max. Power Consumption	0.93W (5V x 186mA)
Thermal Sensor	√
Extended DRAM buffer	-
H/W Write Protect	-
ATA Security	√
S.M.A.R.T.	√
Dimension (WxLxH)	33.06 x 29.6 x 10.5 mm
Environment	Vibration: 20G @7~2000Hz Shock: 1500G @ 0.5ms Storage Temperature: -55°C ~ +95°C MTBF: 3 million hours

Ordering Information

	8GB	16GB	32GB
Standard Grade (0°C ~ +70°C)	DESSL-08GM41SCADB*	DESSL-16GM41SCADB*	DESSL-32GM41SCADB*
Industrial Grade (-40°C ~ +85°C)	DESSL-08GM41SWADB*	DESSL-16GM41SWADB*	DESSL-32GM41SWADB*

*=A-> Pin 8+ power cable

*=B-> Pin 8+ Pin 7