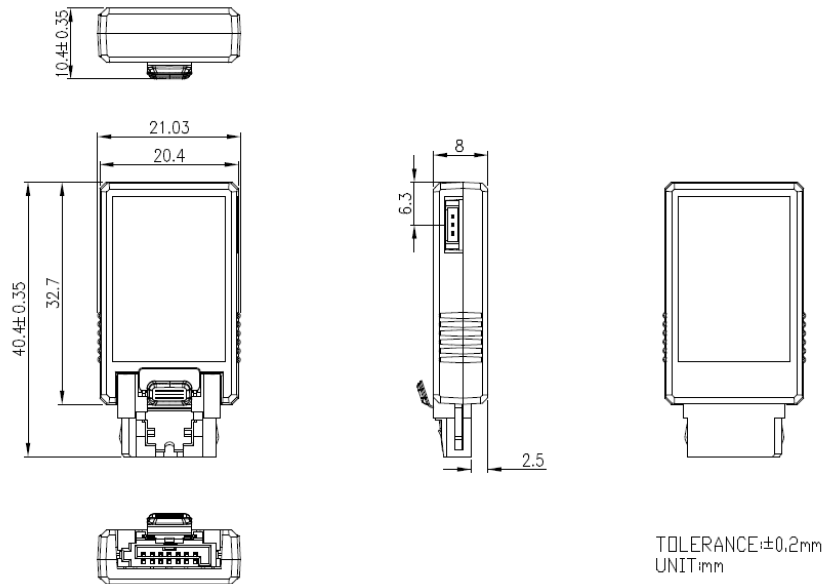


# SATADOM-SV

## 3ME4 series

### Diagram



### Specifications

Interface	SATA III
Flash Type	MLC
Capacity	8GB~128GB
Max. Channels	2
Sequential R/W (MB/sec, max.)	530/ 120
Max. Power Consumption	1.27W (5V x 254mA )
Thermal Sensor	√
Extended DRAM buffer	-
H/W Write Protect	-
ATA Security	√
S.M.A.R.T.	√
Dimension (WxLxH)	40.4 x 21.03 x 10.4 mm
Environment	Vibration: 20G @7~2000Hz Shock: 1500G @ 0.5ms Storage Temperature: -55°C ~ +95°C MTBF: 3 million hours

### Ordering Information

	8GB	16GB	32GB	64GB	128GB
Standard Grade (0°C ~ +70°C)	DESSV-08GM41BC1SC*	DESSV-16GM41BC1SC*	DESSV-32GM41BC1SC*	DESSV-64GM41BCADC*	DESSV-A28M41BCADC*
Industrial Grade (-40°C ~ +85°C)	DESSV-08GM41BW1SC*	DESSV-16GM41BW1SC*	DESSV-32GM41BW1SC*	DESSV-64GM41BWADC*	DESSV-A28M41BWADC*

\*=A-> Pin 8+ power cable

\*=B-> Pin 8+ Pin 7