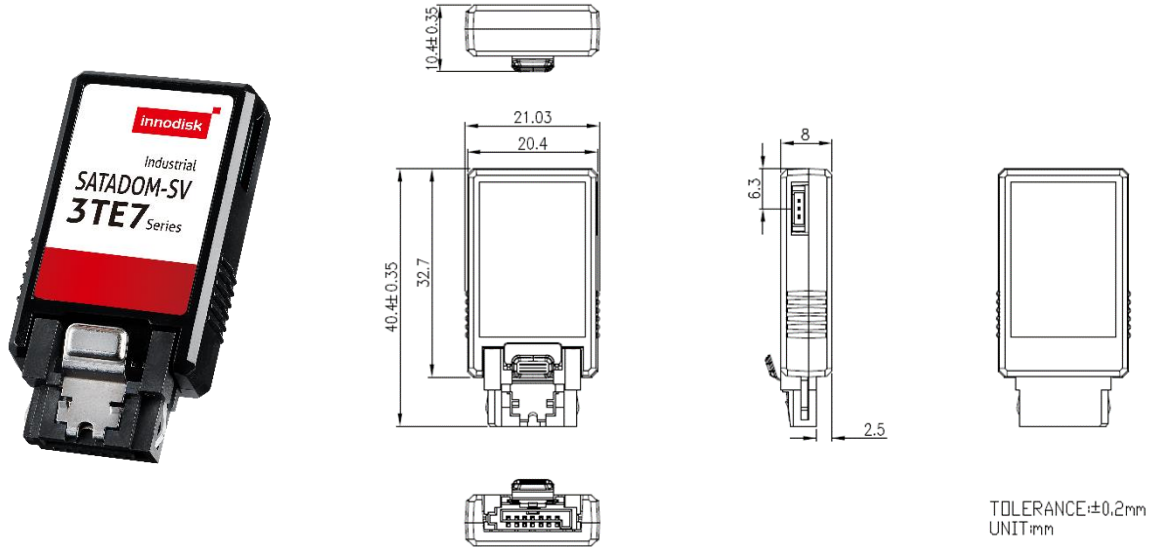


SATADOM-SV 3TE7 series

Diagram



Specifications

Interface	SATA III
Flash Type	3D TLC
Capacity	32GB~512GB
Max. Channels	2
Sequential R/W (MB/sec, max.)	550/490
Max. Power Consumption	1.7W
Thermal Sensor	√
Extended DRAM buffer	-
H/W Write Protect	-
ATA Security	√
S.M.A.R.T.	√
Dimension (WxLxH)	40.4 x 21.03 x 10.5 mm
Environment	Vibration: 20G @7~2000Hz Shock: 1500G @ 0.5ms Storage Temperature: -55°C ~ +95°C MTBF: 3 million hours

Ordering Information

	32GB	64GB	128GB		256GB	512GB
			1CH	2CH		
Standard Grade (0°C ~ +70°C)	DESSV-32GDK1EC1SF*	DESSV-64GDK1EC1SF*	DESSV-A28DK1EC1SF*	DESSV-A28DK1**CADF*	DESSV-B56DK1**CADF*	DESSV-C12DK1GCADF*
Industrial Grade (-40°C ~ +85°C)	DESSV-32GDK1EW1SF*	DESSV-64GDK1EW1SF*	DESSV-A28DK1EW1SF*	DESSV-A28DK1EWADF*	DESSV-B56DK1EWADF*	N/A

*=A-> Pin 8+ power cable / *=B-> Pin 8+ Pin 7
**=C-> 64 layers 3D Flash / **=G-> 96 layers 3D Flash