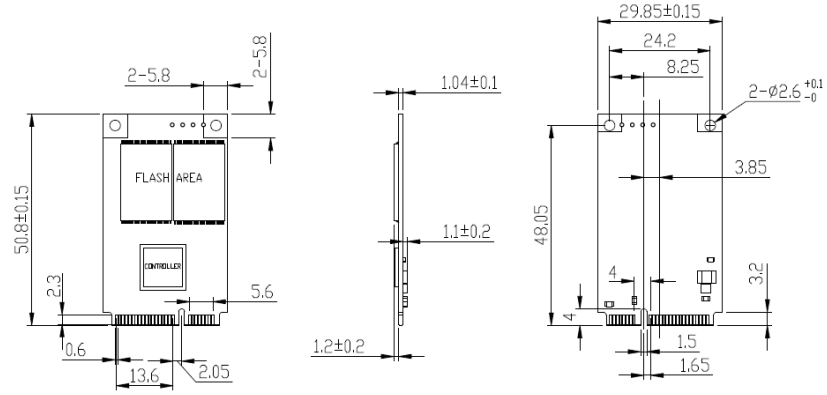


mSATA

3IE3 series

Diagram



Specifications

Interface	SATA III
Flash Type	iSLC
Capacity	8GB~256GB
Max. Channels	4
Sequential R/W (MB/sec, max.)	440/230
Max. Power Consumption	2.5 W (3.3V x 765 mA)
Thermal Sensor	ST- Optional
TRIM	√
External DRAM buffer	-
H/W Write Protect	Optional
ATA Security	√
S.M.A.R.T.	√
Dimension (WxLxH)	29.8 X 50.8 X 3.3 mm
Environment	Vibration: 20G @7~2000Hz Shock: 1500G @ 0.5ms Storage Temperature: -55°C ~ +95°C MTBF: 3 million hours

Operation Temp.	08GB	16GB	32GB	64GB	128GB	256GB
Standard Grade (0°C ~ +70°C)	DHMSR-08GD09BC1S(D)C	DHMSR-16GD09BC1DC	DHMSR-32GD09BC1DC	DHMSR-64GD09BC1DC DHMSR-64GD08BCAQC	DHMSR-A28D08BCAQC	DHMSR-B56D08BCAQC
Industrial Grade (-40°C ~ +85°C)	DHMSR-08GD09BW1S(D)C	DHMSR-16GD09BW1DC	DHMSR-32GD09BW1DC	DHMSR-64GD09BW1DC DHMSR-64GD08BWAQC	DHMSR-A28D08BWAQC	DHMSR-B56D08BWAQC