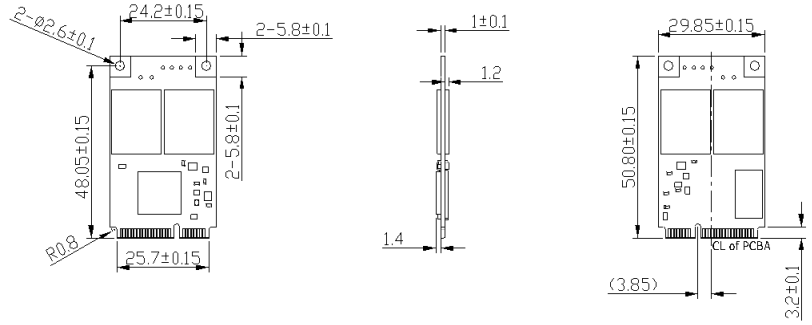


mSATA

3MG2-P series

Diagram



TOLERANCE:±0.20 mm
UNIT:mm

Specifications

| | |
|--|---|
| Interface | SATA III |
| Flash Type | MLC |
| Capacity | 8GB~512GB |
| Max. Channels | 4 |
| Sequential R/W (MB/sec, max.)* | 520 / 355 MB/s |
| 4KB Random (QD32) R/W (IOPS)** | 68,000/71,000 |
| Max. Power Consumption | 2.8 W (3.3 V x 0.86 A) |
| Thermal Sensor | √ |
| External DRAM Buffer | √ |
| H/W Write Protect | Optional |
| ATA Security | √ |
| S.M.A.R.T. | √ |
| DEVSLP Mode | √ (min. power consumption 3mW) |
| Slumber Mode | √ (min. power consumption 30mW) |
| Dimension (WxLxH) | 29.85 X 50.8 X 3.6 mm |
| Environment | Vibration: 20G @7~2000Hz Shock: 1500G @ 0.5ms Storage Temperature: -55°C ~ +95°C MTBF: 3 million hours |
| * Sequential performance based on CrystalDiskMark 3.01 with file size 1000MB | |
| ** Random performance based on Iometer with Queue Depth 32 | |

Ordering Information

| Operation Temp. | 8GB | 16GB | 32GB | 64GB | 128GB | 256GB | 512GB |
|-------------------------------------|-------------------|--|---------------------------------------|--|--|--|---|
| Standard Grade (0°C ~ +70°C) | DGMSR-08GD81BC1SC | DGMSR-16GD81BC1&C DGMSR-16GD81SCASN | DGMSR-32GD81BC1% DGMSR-32GD81SCADN | DGMSR-64GD81BC1QC DGMSR-64GD81SCAQN | DGMSR-A28D81BC1QC DGMSR-A28D81SCAQN | DGMSR-B56D81BC1QC DGMSR-B56D81SCAQN | DGMSR-C12D81BCAQOC DGMSR-C12D81SCAQN |
| Industrial Grade (-40°C ~ +85°C) | DGMSR-08GD81BW1SC | DGMSR-16GD81BW1&C DGMSR-16GD81SWASN | DGMSR-32GD81BW1% DGMSR-32GD81SWADN | DGMSR-64GD81BW1QC DGMSR-64GD81SWAQN | DGMSR-A28D81BW1QC DGMSR-A28D81SWAQN | DGMSR-B56D81BW1QC DGMSR-B56D81SWAQN | DGMSR-C12D81BWAQOC DGMSR-C12D81SWAQN |

&: S: Single channel, D: Dual channel

%: D: Dual channel, Q: 4 channel