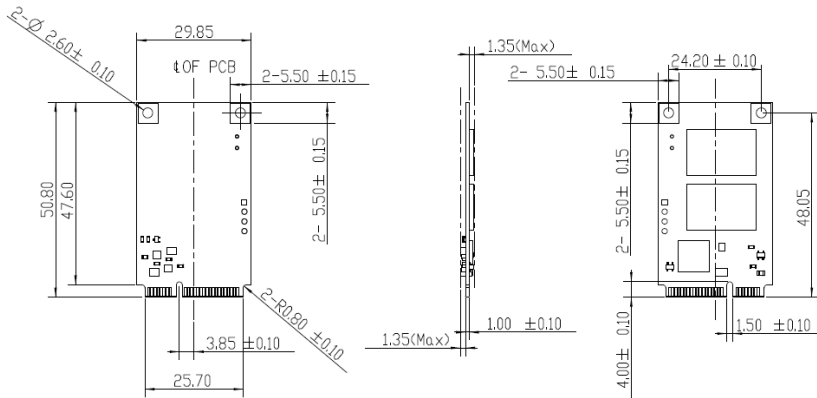


mSATA

3SE4 series

Diagram



Specifications

| | |
|--------------------------------|---|
| Interface | SATA III |
| Flash Type | SLC |
| Capacity | 8GB~64GB |
| Max. Channels | 2 |
| Sequential R/W (MB/sec, max.)* | 525 / 345 MB/s |
| 4KB Random (QD32) R/W (IOPS)** | 31,000/28,000 |
| Max. Power Consumption | 1.32 W (3.3 V x 0.4 A) |
| Thermal Sensor | √ |
| External DRAM Buffer | - |
| H/W Write Protect | Optional |
| ATA Security | √ |
| S.M.A.R.T. | √ |
| Dimension (WxLxH) | 29.85 X 50.8 X 3.7 mm |
| Environment | Vibration: 20G @7~2000Hz Shock: 1500G @ 0.5ms Storage Temperature: -55°C ~ +95°C MTBF: 3 million hours |

* Sequential performance based on CrystalDiskMark 3.01 with file size 1000MB

** Random performance based on Iometer with Queue Depth 32

Ordering Information (Please refer to TPS for detail)

| Operation Temp. | 8GB | 16GB | 32GB | 64GB |
|-------------------------------------|-------------------|-------------------|-------------------|-------------------|
| Standard Grade (0°C ~ +70°C) | DEMSR-08GM41SCADB | DEMSR-16GM41SCADB | DEMSR-32GM41SCADB | DEMSR-64GM41SCADB |
| Industrial Grade (-40°C ~ +85°C) | DEMSR-08GM41SWADB | DEMSR-16GM41SWADB | DEMSR-32GM41SWADB | DEMSR-64GM41SWADB |