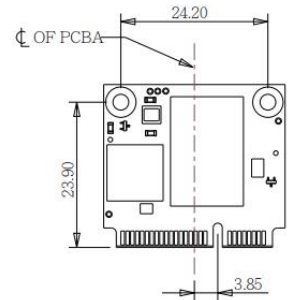
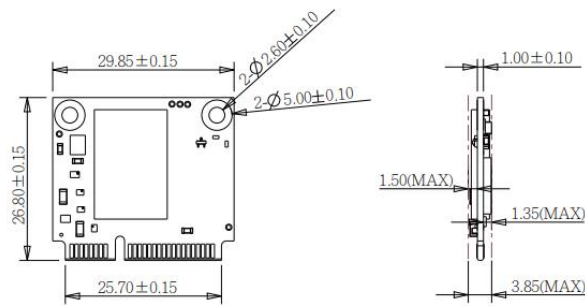


mSATA mini 3IE7 series

Diagram



TOLERANCE:±0.15mm
UNIT:mm

Specifications

Interface	SATA III
Flash Type	3D TLC
Capacity	20GB~320GB
Max. Channels	4
Sequential R/W (MB/sec, max.)*	550 / 490 MB/s
4KB Random (QD32) R/W (IOPS)**	88,000/76,000
Max. Power Consumption	TBD
Thermal Sensor	√
External DRAM Buffer	-
H/W Write Protect	-
ATA Security	√
S.M.A.R.T.	√
DEVSLP Mode	√
Dimension (W x L x H)	29.85 X 26.8 X 3.85 mm
Environment	Vibration: 20G @7~2000Hz Shock: 1500G @ 0.5ms Storage Temperature: -40°C ~ +85°C MTBF: 3 million hours
* Performance based on CrystalDiskMark 5.1.2 with file size 1000MB	

Ordering Information (Please refer to TPS for detail)

Operation Temp.	20GB	40GB	80GB	160GB	320GB
Standard Grade (0°C ~ +70°C)	DHMSM-20GDK1KCA&%	DHMSM-40GDK1KCA&%	DHMSM-80GDK1KCA&%	DHMSM-A60DK1KCA&%	DHMSM-D2GDK1KCA&%
Industrial Grade (-40°C ~ +85°C)	DHMSM-20GDK1KWA&%	DHMSM-40GDK1KWA&%	DHMSM-80GDK1KWA&%	DHMSM-A60DK1KWA&%	DHMSM-D2GDK1KWA&%

&. S= single channel; D=Dual channel; Q=4 channel

% . L = innodisk NAND; F = Kioxia NAND