



CFexpress 4TE2

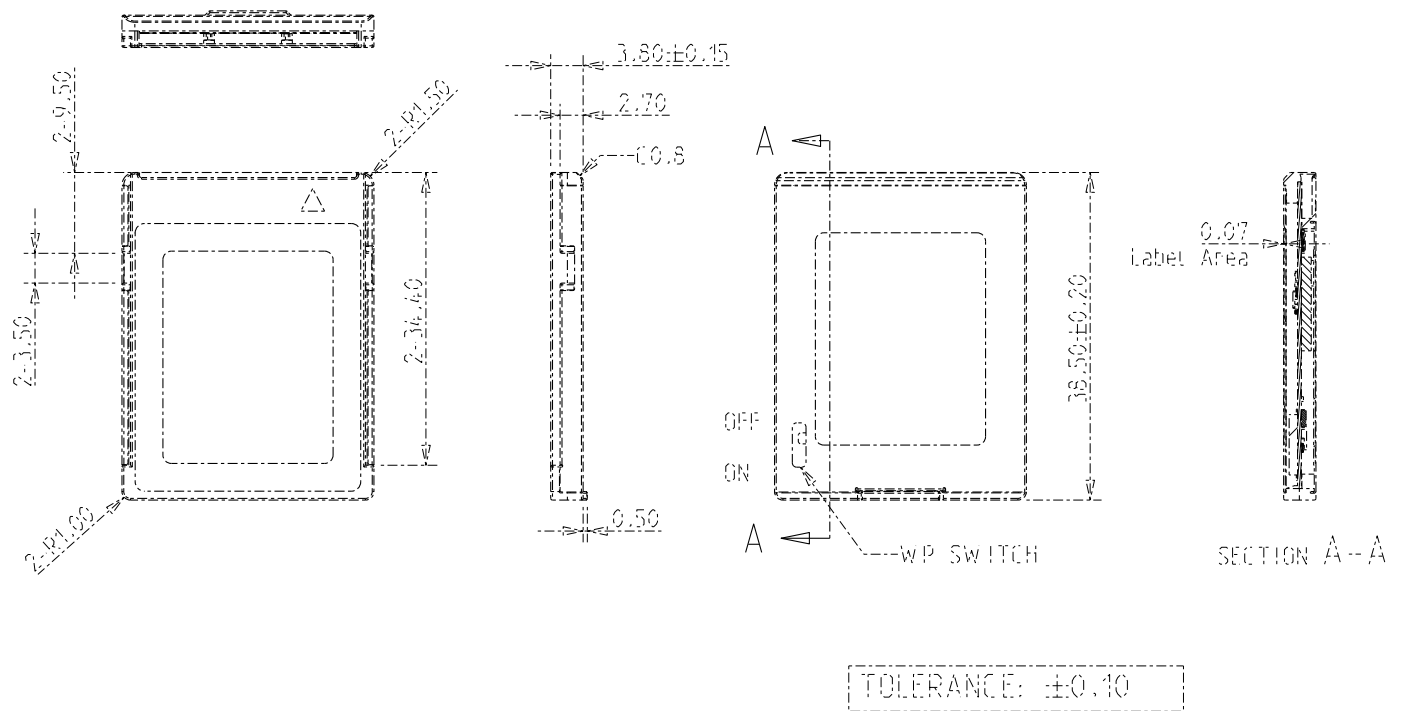
HIGHLIGHT FEATURES

- Equipped with 112-layer 3D TLC NAND Flash
- Excellent Data Transfer Speed
- Dynamic Thermal Management
- Support iPower Guard & iData Guard
- Support Write Protect

SPECIFICATIONS

Model Name	CFexpress 4TE2
Flash Type	3D TLC
Interface	PCIe Gen 3 x2
Form Factor	CFexpress 1.0 Type B
Capacity	128GB ~ 1TB
Sequential R / W (MB/sec, max.)	1,750 / 1,650
P/E Cycle	3,000
TBW (Max.)	545
Storage Temperature	-40°C ~ 85°C
Max. Power Consumption	3.4W
Max. Channels	4
External DRAM Buffer	N
H/W Write Protect	Y
S.M.A.R.T.	Y
AES	Y (Optional)
TCG Opal	Y (Optional)
Dimension (W x L x H/mm)	29.6 x 38.5 x 3.8
Vibration	20G@[7 ~ 2000Hz]
Shock	1500G@0.5ms
MTBF	>3 million hours
Warranty	3 Years

DIAGRAM



ORDER INFO.

Operating Temperature	Standard Grade (0°C ~ 70°C)
128GB	DECFX-A28DF1KCADF(W)
256GB	DECFX-B56DF1KCAQF(W)
512GB	DECFX-C12DF1KCAQF(W)
1TB	DECFX-01TDF1KCAQF(W)

(W). H/W Write Protect (Optional)