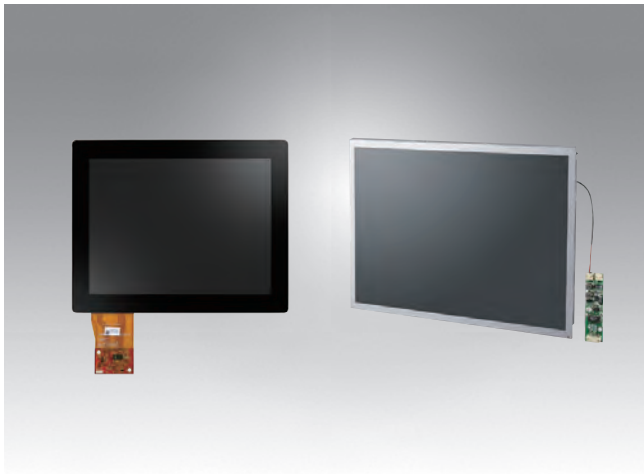


IDK-2110

10.4" SVGA/XGA 1,200/1,300 cd/m² Ultra High Brightness Industrial Display Kit with LED B/L



Features

- 10.4" LCD supports 800 x 600 and 1024 x 768 pixels and wide operating temperature
- Ultra-high brightness
- High contrast ratio
- Superior sunlight readability
- LVDS signal interface
- Low power consumption
- 4W resistive touch solution (Customized request)
- Anti-Reflection surface treatment (Customized request)
- Optical bonding (Customized request)

Introduction

The Advantech IDK-2110 series comes with a 10.4" high brightness industrial grade LCD display. The series is also available with flexible options for 4-wire resistive and Project capacitive touch screens and enhanced treatment such as Anti-Reflection surface treatment and optical bonding solution. Equipped with high level of brightness and wide operating temperature, IDK-2110 provides superior sunlight readability and is perfect for applications whether in semi-outdoor or outdoor environments.

Specifications

LCD Panel	Model	IDK-2110P-1KXGA1	IDK-2110R-K3XGA1E	IDK-2110N-K2SVA2E IDK-2110R-K2SVA2E
	Display Size	10.4", 4:3	10.4", 4:3	10.4", 4:3
	Resolution	1024 x 768 (XGA)	1024 x 768 (XGA)	800 x 600 (SVGA)
	Display mode	Normally Black (no color shift)	Normally Black (no color shift)	Normally White
	Viewing Angle (U/D/L/R)	88°/88°/88°/88°	85°/85°/85°/85°	60°/70°/80°/80°
	Brightness	1000 (cd/m ²)	1300 (cd/m ²)	1200 (cd/m ²)
	Contrast Ratio	1000:1	700 : 1	500 : 1
	Response Time (ms)	25 ms	30 ms	35 ms
	Colors	6bit (262K)/8bit (16.7M)	6bit (262k)/8bit (16.2M)	6bit (262K)/8bit (16.2M)
	Voltage	3.3V	3.3V	3.3 V
	Consumption	8.47W	16.05W	7.1 W
	Signal Interface	1 channel LVDS	1 channel LVDS	1 channel LVDS
	Weight	320g	600g	N series: 350 g R series: 470 g
Backlight Life (hrs)	50,000	70,000	50,000	
Dimensions (W x H x D)	225.5 x 176.3 x 8.7	230 x 180.2 x 12.3 mm	N series: 236 x 176.9 x 5.7 mm R series: 236 x 176.9 x 7.65 mm	
Touch Screen	Touch Screen	Projected Capacitive	4-wire Resistive	4-wire Resistive
	Light Transmission	90± 3%	82.5%	82.5%
	Interface	USB, 5V	USB, 5V	USB, 5V
	Surface Hardness	Mohs 5H	3H	3H
	Surface Treatment	No treatment	NA	Anti-Glare
	Black Border	Yes	NA	NA
	Durability	-	1 million times	1 million times
Environment	Operating Temperature	-20~70 °C	-10 ~ 60° C	-20 ~ 70° C (N series) / -10 ~ 60° C (R series)
	Storage Temperature	-30 ~ 80 °C	-30 ~ 70° C	-20 ~ 70° C
	Humidity	90% @ 39 °C, non-condensing	85% @ 39° C, non-condensing	90% @ 39°C, non-condensing

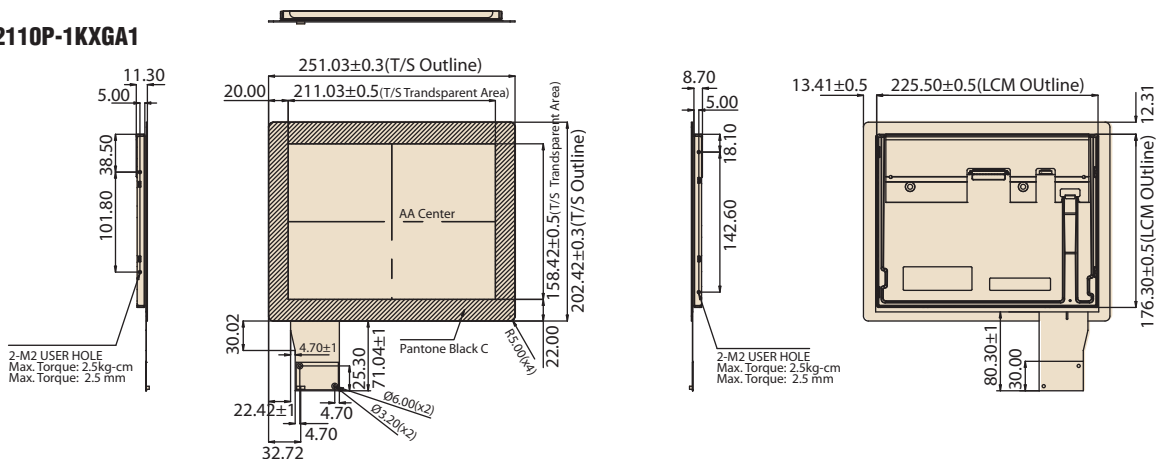
No color shift display



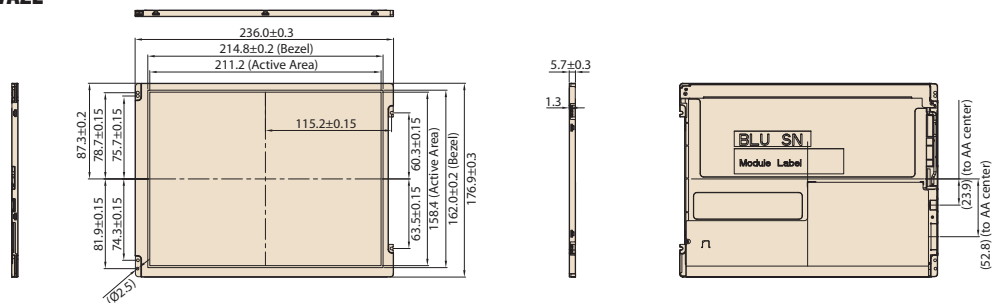
Dimensions

Unit: mm

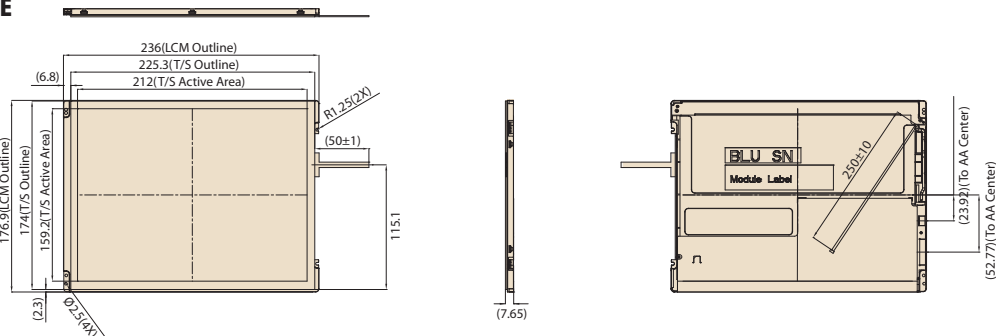
IDK-2110P-1KXGA1



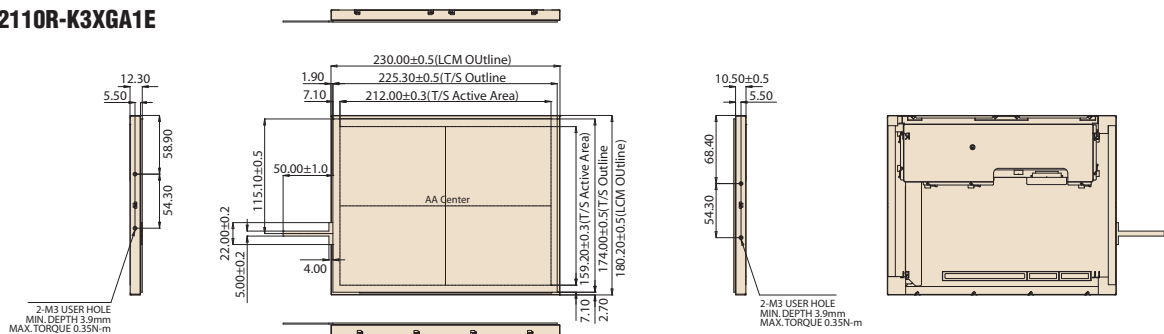
IDK-2110N-SVA2E



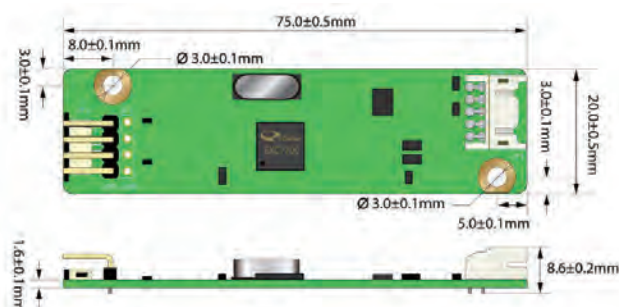
IDK-2110R-K2SVA2E



IDK-2110R-K3XGA1E



Touch Controller for resistive solution



Ordering Information

Part No.	Brightness (cd/m ²)	Interface	Touch screen	Touch Interface
IDK-2110P-1KXGA1	1000	LVDS	Projected Capacitive	USB
IDK-2110R-K3XGA1E	1300	LVDS	4-wire Resistive	USB
IDK-2110N-K2SVA2E	1200	LVDS	N/A	N/A
IDK-2110R-K2SVA2E	1200	LVDS	4-wire Resistive	USB

Optional Order

IDK-2110P-1KXGB1

SBC Part No.	LVDS cable P/N	Display interface	B/L cable P/N
MIO-5270	96CB-L3040PCI4	Single channel 18bit LVDS (XGA)	96CB-E1005PCB3
PCM-9362	96CB-L3020PCI2	Single channel 18bit LVDS (XGA)	96CB-E1005PCB3
AIMB-270	96CB-L3040PCI4	Single channel 18bit LVDS (XGA)	96CB-E1005PCB3

IDK-2110N/R-SVA2E

SBC Part No.	LVDS cable P/N	Display interface	B/L cable P/N
MIO-5270	96CB-L2040PAC4	Single channel 18bit LVDS (SVGA)	96CB-E0605HAA1
PCM-9362	96CB-L2020PAC2	Single channel 18bit LVDS (SVGA)	96CB-E0605HAA1
AIMB-270	96CB-L2040PAC4	Single channel 18bit LVDS (SVGA)	96CB-E0605HAA1

IDK-2110R-K3XGA1E

SBC Part No.	LVDS cable P/N	Display interface	B/L cable P/N
MIO-5270	96CB-L2040PKA4	Single channel 18bit LVDS (XGA)	96CB-E0605HAA1
PCM-9362	96CB-L2020PKA2	Single channel 18bit LVDS (XGA)	96CB-E0605HAA1
AIMB-270	96CB-L2040PKA4	Single channel 18bit LVDS (XGA)	96CB-E0605HAA1

Packing List

Part Number	Description
ETM-RES05C-EEH4EE	1 x 4-wire Touch controller for Resistive Touch Solution
1700020324-01	1 x USB cable for Resistive Touch Solution
1700027288-01	1 x 180cm USB Touch cable for PCT solution

Note: Package contents are subject to change without prior notice