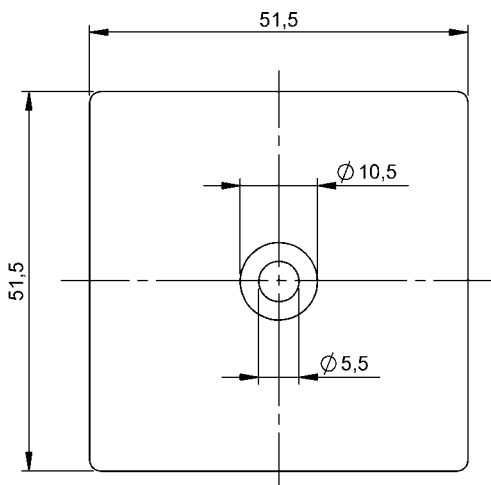
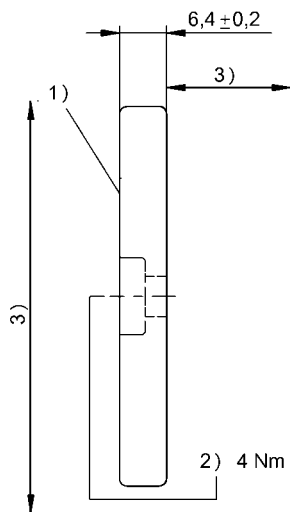


HF (13.56 MHz)
BIS M-135-03/L
 Order Code: BIS00Y5

BALLUFF



- 1) Sensing surface
- 2) Tightening torque
- 3) see R/W head table



Basic features

Antenna type	round
Approval/Conformity	CE WEEE EAC
EN 55011	Size 1, Cl. A
EN 55022	Size 1, Cl. B
Principle of operation	Data carrier

Electrical data

Data retention time/years	≥ 10
Memory organization	28 × 4 bytes
Programming cycles	up to 70 °C: 100,000
Programming time	for 16 bytes: 0.1s
Read cycles	Unlimited
Read time	for 16 bytes: 0.03 s User ID for 8 bytes: 0.02 s

Environmental conditions

Ambient temperature	-20...85 °C
Continuous shock load	yes
EN 60068-2-27, Shock	yes
EN 60068-2-32 Free fall	yes
EN 60068-2-6, Vibration	yes
IP rating	IP68
Storage temperature	-40...85 °C

Functional Characteristics

Memory type	EEPROM
Supported data carrier types	DIN ISO 15693
UID serial number, read-only	8 Byte
User data, read/write	112 Byte

Material

Housing material	ABS, black
------------------	------------

Mechanical data

Application weight	25.00 g
Dimension	51.5 × 6.4 × 51.5 mm
Installation	metal-free (clear zone)

HF (13.56 MHz)
BIS M-135-03/L
Order Code: BIS00Y5

BALLUFF

Remarks

Values are under rated conditions unless otherwise specified.
Only when used together with the appropriate read/write head.
For installation requirements see corresponding read/write head.
Time specification includes data check.
For installation in metal: Observe clear zone.