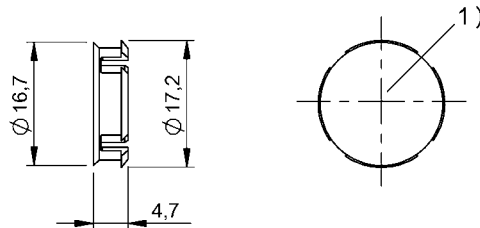


HF (13.56 MHz)
BIS M-141-02/A
 Order Code: BIS010Y

BALLUFF



1) Sensing surface



Basic features

Antenna type	round
Approval/Conformity	CE WEEE EAC
EN 55022	Size 1, Cl. B
Principle of operation	Data carrier

Electrical data

Data retention time/years	≥ 10 at 55 °C
Memory organization	250 × 8 bytes
Programming cycles	≥ 10.000.000.000
Programming time	for 16 bytes: 0.060s
Read cycles	Unlimited
Read time	User ID for 8 bytes: 0.02 s for 16 bytes: 0.03 s

Environmental conditions

Ambient temperature	-25...70 °C
Continuous shock load	yes
EN 60068-2-27, Shock	yes
EN 60068-2-32 Free fall	yes
EN 60068-2-6, Vibration	yes
IP rating	IP67

Functional Characteristics

Memory type	FRAM
UID serial number, read-only	8 Byte
User data, read/write	2000 Byte

Material

Housing material	PA 12, GF30, With PU potting
------------------	------------------------------

Mechanical data

Application weight	1.00 g
Dimension	Ø 17.2 x 4.7 mm

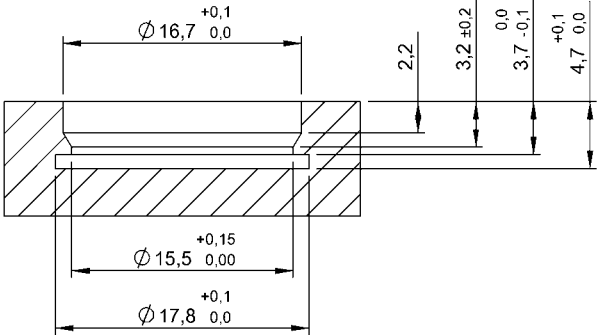
Remarks

Values are under rated conditions unless otherwise specified.
 Only when used together with the appropriate read/write head.
 For installation requirements see corresponding read/write head.
 Time specification includes data check.
 Installation Instructions 869226

HF (13.56 MHz)
BIS M-141-02/A
Order Code: BIS010Y



Help Views



Installation note