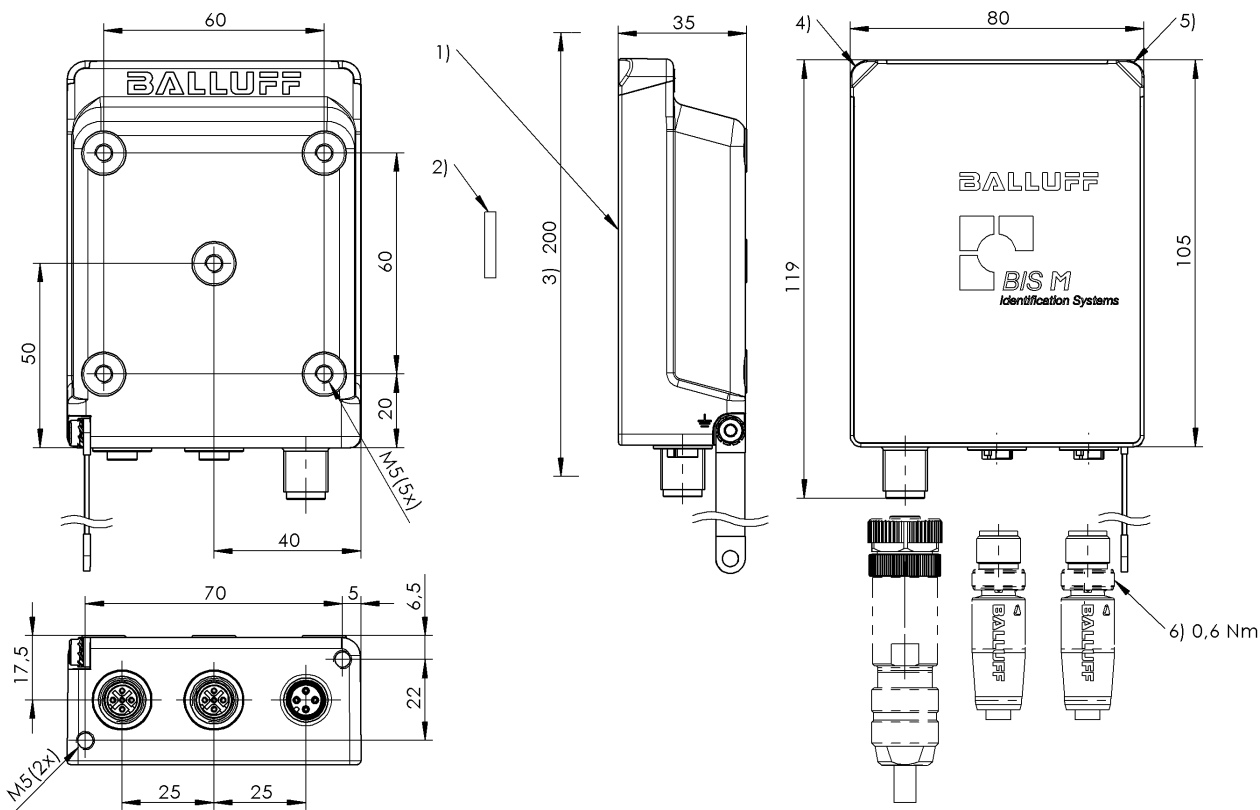


HF (13.56 MHz)
 BIS M-4006-034-001-ST4
 Order Code: BIS018A

BALLUFF



- 1) Sensing surface
- 2) Data carrier
- 3) Clear zone
- 4) LED (Power)
- 5) LED (CP)
- 6) Tightening torque



Basic features

Antenna type	round
Approval/Conformity	CE WEEE EAC
Principle of operation	Read/write device

Display/Operation

Function indicator	CP (Code tag present), LED yellow Link Port 1, LED green Link Port 2, LED green Activity Port 1, LED yellow Activity Port 2, LED yellow Power, LED green Network Status, LED green/red Module Status, LED green/red
--------------------	--

HF (13.56 MHz)
BIS M-4006-034-001-ST4
Order Code: BIS018A



Electrical connection

Connection (COM 1)	Port 1: M12x1-Female, 4-pin, D-coded
Connection (COM 2)	Port 2: M12x1-Female, 4-pin, D-coded
Connection (supply voltage IN)	M12x1-Male, 4-pin

Electrical data

Current consumption max. at 24 V DC	150 mA
Nominal voltage	24 VDC
Operating voltage Ub	24 V DC LPS Class 2
Residual ripple max.	10 %

Environmental conditions

Ambient temperature	0...70 °C
EN 60068-2-27, Shock	yes
EN 60068-2-32 Free fall	yes
EN 60068-2-6, Vibration	yes
IP rating	IP67, with connector
Storage temperature	-20...85 °C

Functional Characteristics

Supported data carrier types	DIN ISO 15693 DIN ISO 15693 (High Memory)
-------------------------------------	---

Functional safety

MTTF (40 °C)	68 a
---------------------	------

Material

Housing material	Zinc, Die casting
-------------------------	-------------------

Mechanical data

Application weight	480.00 g
Dimension	80 x 35 x 119 mm
Installation	metal-free (clear zone) on metal flush in metal

Output/Interface

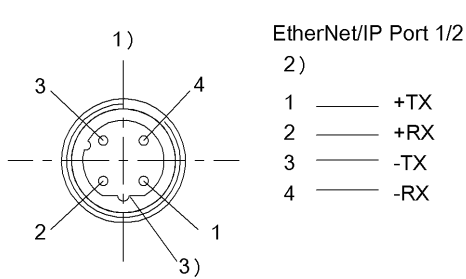
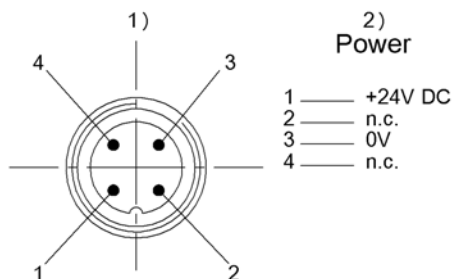
Interface	EtherNet/IP EtherNet/IP 2-port Switch
------------------	--

Remarks

Only for data carriers acc. to ISO 15693.
 For basic equipment: Accessories see www.balluff.com
 When installing, the technical standards and regulations of the corresponding countries must be observed.
 Values are under rated conditions unless otherwise specified.
 For more information about MTTF and B10d see MTTF / B10d Certificate

Indication of the MTTF- / B10d value does not represent a binding composition and/or life expectancy assurance; these are simply experiential values with no warranty implications. These declared values also do not extend the expiration period for defect claims or affect it in any way.

Connector Drawings



HF (13.56 MHz)

BIS M-4006-034-001-ST4

Order Code: BIS018A



Help Views

HF (13.56 MHz)

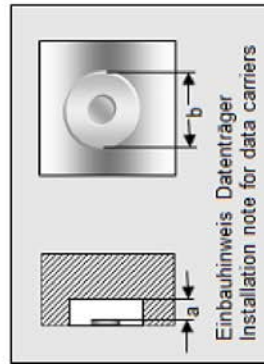
BIS M-4006-034-001-ST4

Order Code: BIS018A

BALLUFF

BIS M-4006-001

	BIS M-142-02/A BIS M-142-20/A	BIS M-142-1x/A- Mx	BIS M-143-02/A- Mx		
passende Datenträger Appropriate data carriers					
Abstand Datenträger zu Metall in mm (a) Data carrier distance to metal in mm	>0	>0	>0		
Freizone Datenträger in mm (b) Data carrier clear zone in mm	>100	>100	>100		
Schreibabstand in mm Write distance in mm	0-38	0-18	0-18		
Leseabstand in mm Read distance in mm	0-38	0-18	0-18		
Versatz in mm bei Abstand von	0 ±27	±22	±22		
	5 ±27	±22	±22		
	10 ±27	±20	±20		
	15 ±25	±16	±18		
	18 ±25	±5	±10		
	20 ±25				
	25 ±22				
	30 ±22				
	35 ±10				
	38 ±10				
	40				
	45				
	50				
	55				
	60				
	65				
	70				
	75				
	80				
	85				
	90				
	95				



HF (13.56 MHz)

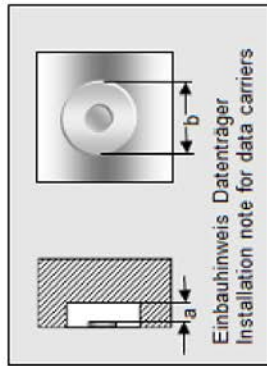
BIS M-4006-034-001-ST4

Order Code: BIS018A

BALLUFF

BIS M-4006-001

	BIS M-132-03/L- HT	BIS M-133-02/A	BIS M-135-03/L- HT	BIS M-135-07/L- HT
passende Datenträger Appropriate data carriers				
Abstand Datenträger zu Metall in mm (a) Data carrier distance to metal in mm	>50	>50	>50	>50
Freizone Datenträger in mm (b) Data carrier clear zone in mm	>200	>200	>200	>200
Schreibabstand in mm Write distance in mm	0-60	0-55 0-45	0-90	0-65
Leseabstand in mm Read distance in mm	0-60	0-55 0-45	0-90	0-65
Versatz in mm bei Abstand von	0 ±35 10 ±35 20 ±35 30 ±30 40 ±30 45 ±20 50 ±20 55 ±20 60 ±10	±32 ±27 ±32 ±27 ±32 ±27 ±30 ±25 ±30 ±20 ±24 ±5 ±24 ±10	±50 ±50 ±50 ±50 ±45 ±45 ±45 ±45 ±30 ±30 ±30 ±20 ±20	±36 ±36 ±36 ±33 ±33 ±25 ±25 ±25 ±10
Offset in mm at distance	65 70 75 80 85 90 100 110 120 130 140 150			



HF (13.56 MHz)

BIS M-4006-034-001-ST4

Order Code: BIS018A

BALLUFF

BIS M-4006-001

	BIS M-136-03/L- HT				
passende Datenträger Appropriate data carriers					
Freizone Datenträger in mm (a) Data carrier clear zone in mm	>100				
Freizone Datenträger in mm (b) Data carrier clear zone in mm	>140				
Abstand Datenträger zu Metall in mm (c) Data carrier distance to metal in mm	>25				
Schreibabstand in mm Write distance in mm	0-95	0-95			
Leseabstand in mm Read distance in mm	0-95	0-95			
Versatz in mm bei Abstand von	X	Y			
	0 ±45 ±70				
	10 ±45 ±70				
	20 ±45 ±70				
	30 ±45 ±70				
	40 ±40 ±60				
	50 ±40 ±60				
	60 ±40 ±60				
	70 ±30 ±35				
	80 ±30 ±35				
	90 ±30 ±35				
	95 ±20 ±20				
	100				
	110				
	120				
	130				
	140				

