

# FM10MG

10.4" Android Vehicle Mounted Computer with Genio 510 A78 + A55 CPU



## KEY FEATURES

- ARM Genio 510 2 x A78 2.0GHz + 4 x A55 2.0GHz CPU
- 10.4" 1024 x 768 Panel with PCAP touchscreen
- Field replaceable front panel to reduce service costs
- IP65 waterproof and dustproof
- Wide range -30°C to 50°C operating temperature

## INTRODUCTION

Winmate FM Series Android Vehicle Mounted Computer (VMC) is a rugged and versatile solution designed for demanding industrial and logistics applications. Powered by ARM Genio 510 and Qualcomm® Snapdragon™ 660 processors, it delivers reliable performance for forklift and fleet operations. Featuring an IP65-rated waterproof and dustproof design, a wide -30°C to 50°C operating temperature range, and a field-replaceable front panel to reduce service costs, the FM Series ensures durability and efficiency. Its built-in backup battery enables seamless dock-to-dock transitions, ensuring uninterrupted productivity.

## OVERVIEW



### Enhanced Touchscreen Interaction

With a PCAP touch screen, the FM series Android vehicle-mounted computer offers smooth and precise touch responses. Its user-friendly interface ensures effortless operation in a variety of environments.

### Resilient in Tough Conditions

Constructed to endure the toughest conditions, the FM series Android vehicle-mounted computer features an IP65 waterproof and dustproof rating and complies with MIL-STD-810H standards. This rugged device provides reliable performance in any challenging environment.





## Reliable Operation in Extreme Temperatures

Built for extreme climates, the FM series Android vehicle-mounted computer maintains reliable performance in both hot and cold conditions. Whether in low-temperature storage areas or warehouses with rapid temperature changes, our devices stay stable and functional without interruption.

## Detachable Mounting Solutions

The FM series Android vehicle-mounted computer is easily detachable and can be installed in a variety of vehicle configurations, including forklifts and other industrial vehicles. This versatility provides secure and adaptable mounting solutions, allowing users to experience flexible device positioning for convenient and efficient operation.

For more mounting information, please visit [RAM Mount](#)



## SPECIFICATIONS

### Display

<b>Resolution</b>	1024x768	<b>Size</b>	10.4 inches
<b>Contrast Ratio</b>	1200:1	<b>Panel Brightness</b>	400 nits 800 nits(Optional)
<b>View Angles</b>	88,88,88,88	<b>Type</b>	Projected Capacitive Multi Touch
<b>Touch Mode</b>	Support Hand, Stylus, Glove Mode		

### System Specification

<b>Processor</b>	ARM Genio 510 2 x A78 2.0GHz + 4 x A55 2.0GHz	<b>Memory</b>	4GB LPDDR4
<b>Storage</b>	Onboard 64 GB	<b>Operating System</b>	Android 13 Linux Yocto 5.10.104 with QT 5.15 (Optional) Linux Ubuntu 22.04 (Optional)
<b>WLAN</b>	Support	<b>BT</b>	Support
<b>WWAN</b>	4G/LTE (Optional)	<b>GNSS</b>	GPS/GLONASS
<b>Sensors</b>	G-Sensor, Temp. Sensor		

### Camera

<b>Front Camera</b>	2MP Camera
---------------------	------------

### Mechanical

<b>Dimension</b>	Tablet: 268 x 214 x 35 mm (10.6 x 8.42 x 1.37 inches) Docking: 202 x 245 x 52 mm (7.9 x 9.6 x 2.04 inches)	<b>Weight</b>	Tablet 1.6 kg (3.53 lbs) Docking 1.6 kg (3.53 lbs)
<b>Mounting</b>	RAM mount/ VESA mount	<b>Cooling System</b>	Fanless Design
<b>Docking Housing</b>	Aluminum Alloy Housing		

### IO Ports

<b>USB Port</b>	1 x USB 2.0 Type C (OTG)(Tablet) 1 x DB9 Connector for 2 x USB 2.0 Port(Docking)	<b>Serial Port</b>	2 x COM Port(Docking)
<b>SD Card Slot</b>	1 x Micro SD Card Slot(Tablet)	<b>SIM Card Slot</b>	1 x Dual-Nano SIM Card Slot(Tablet)
<b>Audio</b>	2 x Speaker(Docking) 1 x CANBus or 1 x Audio(Docking)	<b>LAN</b>	1 x Gigabit LAN port(Docking)
<b>Indicator</b>	5 x LED Indicator (Wi-Fi, BT, UPS battery, Screen Blanking, Heater)	<b>Docking Connector</b>	SMA Connector(female) for external antenna WLAN SMA Connector(female) for external antenna GPS (Optional) SMA Connector(female) for external antenna WWAN (Optional)

### Environment

<b>Operating Humidity</b>	5% to 95% RH, Non-Condensing	<b>Operating Temperature</b>	-30°C to 60°C
<b>Storage Temperature</b>	-30°C to 60°C	<b>Shock</b>	MIL-STD-810H Method 516.8 Procedure I
<b>Vibration</b>	MIL-STD-810H Method 514.8 Procedure I	<b>IP rating</b>	IP65
<b>Impact</b>	Support EN62262 IK07 Rating	<b>ESD</b>	Compliant with EN 61000-4-2, Enhanced ESD to ±8kV Direct & ±12kV Air

### Certification

<b>Certification</b>	CE, FCC
----------------------	---------

### Control

<b>Button</b>	1 x Power Button, 6 x Function Button (Programmable Function Key Configured by Winset)
---------------	---

### Power

<b>Battery</b>	7.6V UPS Battery (2S1P) Minimum 30 minutes	<b>Power Rating</b>	Docking: 10V-60V with ignition control Tablet: 12V DC In
----------------	---	---------------------	---

### Security Function

<b>SOTI MobiControl</b>	SOTI MobiControl Compliance
-------------------------	-----------------------------

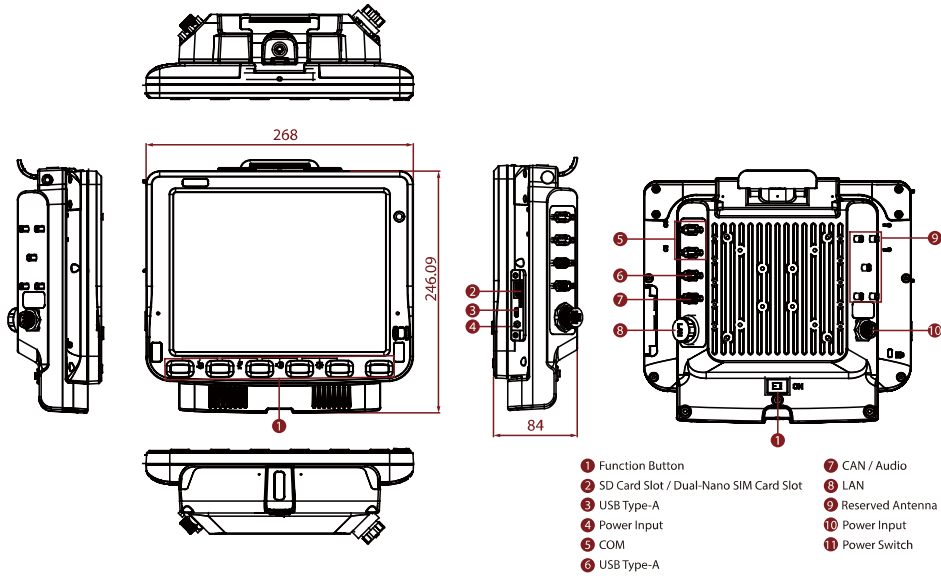
### Accessory

<b>Accessory</b>	5M Power Cable with Fuse Kit	<b>Optional Accessory</b>	1.8M RS232 Cable
------------------	------------------------------	---------------------------	------------------

0.3M USB Cable  
 0.15M Power Converter Cable  
 DC Jack Power Cable  
 84W Adapter with power cable  
 Cable Clamp Kit  
 Wi-Fi Antenna x 2  
 Quick Start Guide  
 External Antenna Fixing Bracket  
 Dock + Latch Locking Key  
 Stylus Kit + Screw

0.3M Audio Cable  
 1.8M CAN BUS Cable  
 1.8M CAN BUS Open Wire Cable  
 2M IP65 LAN Cable  
 GPS & LTE 2M Combo Antenna (VM240)  
 GPS & LTE 5M Combo Antenna (VM9C)  
 Magnetic Combo Antenna (VM10S)  
 WWAN Antenna  
 HDMI Adapter

**DIMENSIONS** UNIT:MM



**NOTE**

- Total usable memory will be less dependent upon actual system configuration.
- CANBus and audio are mutually exclusive.
- The heater is a customized feature available by request.
- SOTI is available upon request.
- Length measurements do not include protrusions. Weight varies with options.
- Measured at dimming LCD brightness. Varies depending on the usage conditions, or when an external device is attached.
- Accessories may vary depending on your configuration.
- Two Wi-Fi antennas are included in the standard package.
- The product shown in this datasheet is a standard model. For diagrams that contain customized or optional I/O, please contact the Winmate Sales Team for more information.
- Please order one bracket for one antenna. For example, if you plan to use two antennas, please order two brackets.
- Notice that only one antenna is included in the package. If you plan to use the WWAN function please order two WWAN antennas.
- This is a simplified drawing and some components are not marked in detail.
- COM port can supply 5V power via the 9th pin.