

IoT SuperServer SYS-212B-FN4TP

X13 2U Short-depth front I/O System with 2 x 10G ports, 2x 2.5" NVMe drive bays and redundant AC PSU



Key Applications

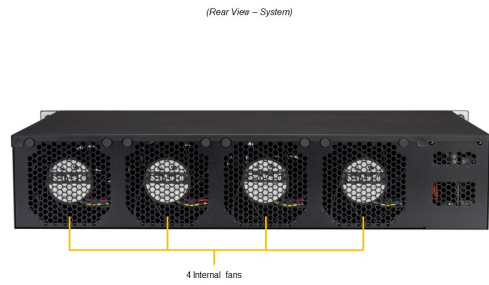
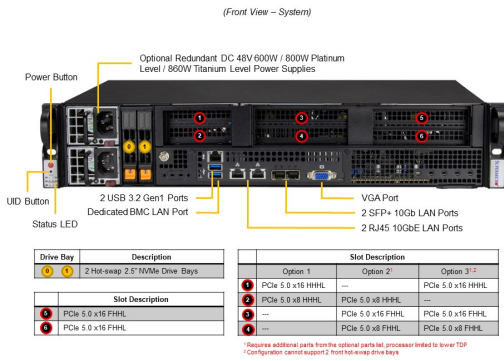
5G Core and Edge, AI Inference and Machine Learning, Network Function
Virtualization, Cloud Computing,

Key Features

- Design with compliance to NEBS-Level 3;
- Single Intel® Xeon® 6700E series processors with E-cores;
- 8 DIMM slots supporting up to 1TB of memory;
- Up to 4 PCIe 5.0 x16 (3 FHHL + 1 HHHL) & 1 PCIe 5.0 x8 FHHL expansion slots for Accelerator Add-On-Cards;
- Onboard 2x 10GbE, 2X 10G SFP+;
- Optional 2 front hot-swap 2.5" NVMe drive bays;



| | |
|--------------------------|---|
| Form Factor | 2U Rackmount Enclosure: 436.88 x 88.9 x 298.8mm (17.2" x 3.5" x 11.8") Package: 490 x 188 x 590mm (19.3" x 7.4" x 23.3") |
| Processor | Single Socket E2 (LGA-4710) Intel® Xeon® 6 6700 series processors with E-cores Up to 144C/144T; Up to 108MB Cache |
| GPU | Max GPU Count: Up to 4 single-width GPU(s) CPU-GPU Interconnect: PCIe 5.0 x16 CPU-to-GPU Interconnect GPU-GPU Interconnect: PCIe |
| System Memory | Slot Count: 8 DIMM slots Max Memory (2DPC): Up to 1TB 6400MT/s ECC DDR5 RDIMM |
| Drive Bays Configuration | Default: Total 2 bay(s) • 2 front hot-swap 2.5" NVMe drive bay(s) M.2: 2 M.2 PCIe 5.0 x2 NVMe slot(s) (M-key 2280/22110) |
| Expansion Slots | PCI-Express (PCIe) Configuration: Default <ul style="list-style-type: none"> • 2 PCIe 5.0 x16 FHHL slot(s) • 1 PCIe 5.0 x16 HHHL slot(s) • 1 PCIe 5.0 x8 HHHL slot(s) Option A* <ul style="list-style-type: none"> • 3 PCIe 5.0 x16 FHHL slot(s) • 1 PCIe 5.0 x8 FHHL slot(s) • 1 PCIe 5.0 x8 HHHL slot(s) Option B* <ul style="list-style-type: none"> • 3 PCIe 5.0 x16 FHHL slot(s) • 1 PCIe 5.0 x8 FHHL slot(s) • 1 PCIe 5.0 x16 HHHL slot(s) M.2: 2 M.2 PCIe 5.0 x2 NVMe slot(s) (M-key) |
| On-Board Devices | NVMe: NVMe; RAID 0/1 support(Intel® VROC RAID key required) Chipset: System on Chip Network Connectivity: 2 RJ45 10GBASE-T with Intel® X710-TM4 2 SFP+ 10GbE with Intel® X710-TM4 |
| Input / Output | LAN: 1 RJ45 1 GbE Dedicated BMC LAN port(s) 2 SFP+ 10 GbE LAN port(s) 2 RJ45 10 GbE LAN port(s) (Intel® X550-AT2) USB: 2 USB 3.2 Gen1 Type-A port(s) (front) 2 USB 3.2 Gen1 Type-A port(s) (Header) Video: 1 VGA port(s) Serial: 1 COM port(s) (Header) |



| | |
|-----------------------|--|
| System Cooling | Fans: 4x 4-PIN PWM 8cm Fan(s) |
| Power Supply | 2x 800W Redundant (1 + 1) power supplies |
| System BIOS | BIOS Type: AMI 256MB SPI Flash |
| Management | SuperCloud Composer; Supermicro Server Manager (SSM); Super Diagnostics Offline (SDO); Supermicro Thin-Agent Service (TAS); SuperServer Automation Assistant (SAA) New! |
| PC Health Monitoring | CPU: Monitors for CPU Cores, Chipset Voltages, Memory FAN: Fans with tachometer monitoring Status monitor for speed control Pulse Width Modulated (PWM) fan connectors Temperature: Monitoring for CPU and chassis environment CPU thermal trip support, PEPI |
| Dimensions and Weight | Weight: Gross Weight: 22 lbs (10 kg) Net Weight: 17 lbs (7.7 kg) Available Color: Silver/Black |
| Operating Environment | Operating Temperature: 0°C ~ 45°C (32°F ~ 113°F) Non-operating Temperature: -40°C to 70°C (-40°F to 158°F) Operating Relative Humidity: 8% to 90% (non-condensing) Non-operating Relative Humidity: 5% to 95% (non-condensing) |
| Motherboard | Super X14SBM-TP4F |
| Chassis | CSE-211M-R000NDP |