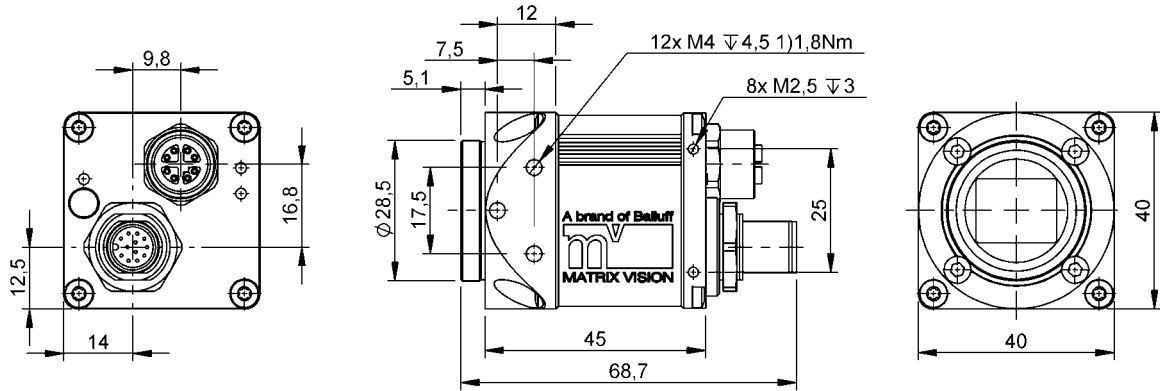


Machine Vision
BVS CA-GX0-0032AC-111C41-XAS2
 Order Code: BVS0039



1) Tightening torque



Basic features

Approval/Conformity	CE cULus EAC WEEE
Chroma	Color
Frame rate	max. 37 fps
Image resolution	3.2 MP (2064 x 1544 pixels)
Pixel size	3.45 x 3.45 µm
Sensor chip	Sony IMX265
Sensor type Vision	1/1.8" global shutter CMOS
Standards	IEEE 802.3af EMVA 1288 GigE Vision GenICam
Version	GigE Vision industrial camera

Electrical connection

Connection 1	GigE-Bus: M12x1-Female, 8-pin, X-coded
Connection 2	Power / IO: M12x1-Male, 12-pin, A-coded
Polarity reversal protected	yes
Short-circuit protection	yes

Electrical data

Current draw max.	500 mA
Operating voltage Ub	11...25 VDC PoE

Environmental conditions

Ambient temperature	0...45 °C
EN 60068-2-27, Shock	100 G, half-sine, 1000 pos., 1000 neg., X, Y, Z
EN 60068-2-6, Vibration	15 G, 10 - 500 Hz, 5h X, Y, Z
IP rating	IP67
Relative humidity	20...80%
Storage temperature	-20...60 °C

Functional Characteristics

Binning	1x1, 2x2, 4x4, 8x8, 16x16
Data storage	64 MB
Decimation	1x1, 2x2, 4x4, 8x8, 16x16
Exposure time	20 µs...20 s
Filter	IR cut filter
Image formats	BayerRG8 BayerRG10 BayerRG12 BayerRG16 BayerRG12Packed BayerRG12p
MTTF (40 °C)	11.7 a
Trigger mode	Free run Hardware trigger Software trigger

Machine Vision
BVS CA-GX0-0032AC-111C41-XAS2
Order Code: BVS0039



Material

Housing material	Aluminum, Powder coated, Painted
Housing material, surface protection	Powder coated Painted

Mechanical data

Dimension	40 x 40 x 68.7 mm
Lens mount	C-Mount
Weight	140 g

Output/Interface

Digital inputs	4x PNP galvanically isolated
Digital outputs	4x PNP galvanically isolated
Interface	Gigabit Ethernet, POE

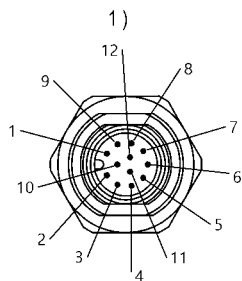
Remarks

Not included in the scope of delivery: camera lens, filter, light, connection cable – see www.balluff.com

For more information about MTTF and B10d see MTTF / B10d Certificate

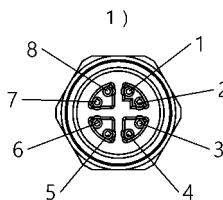
Indication of the MTTF- / B10d value does not represent a binding composition and/or life expectancy assurance; these are simply experiential values with no warranty implications. These declared values also do not extend the expiration period for defect claims or affect it in any way.

Connector Drawings



1) View towards connector
 2) Male 12-pin/ Function

- 2) Power-I/O
- 1 — PWR_IN
 - 2 — GND
 - 3 — DigOut3
 - 4 — Opto DigIn0
 - 5 — DigOut2
 - 6 — DigOut0
 - 7 — Opto DigIn_GND
 - 8 — Opto DigIn2
 - 9 — Opto DigIn3
 - 10 — DigOut_PWR_IN
 - 11 — Opto DigIn1
 - 12 — DigOut1



1) View towards connector
 2) Socket 8-pin/ Function

- 2) GigE LAN
- 1 — BI_DA+
 - 2 — BI_DA-
 - 3 — BI_DB+
 - 4 — BI_DB-
 - 5 — BI_DD+
 - 6 — BI_DD-
 - 7 — BI_DC-
 - 8 — BI_DC+