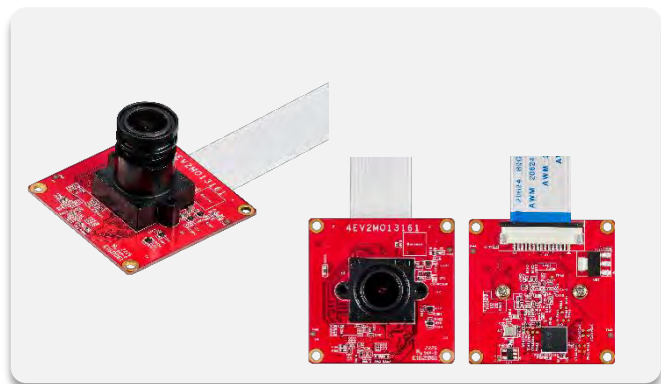


EV2M-OOM1

MIPI Fixed Focus Camera Module



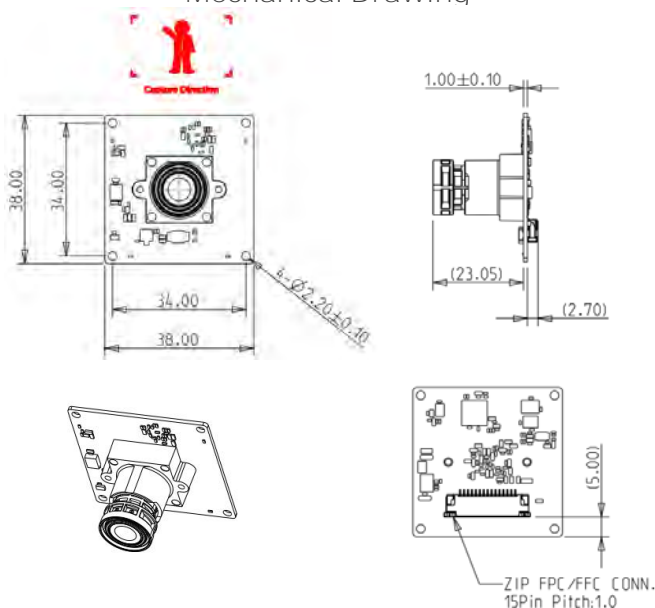
Features

- Max. Resolution: 1920 x 1200 @ 60fps
- ISP inside, Global Shutter
- Platform Support: INTEL, Nvidia Jetson, Xilinx
(For more information please contact our local sales)
- Complies with CE/FCC Class A

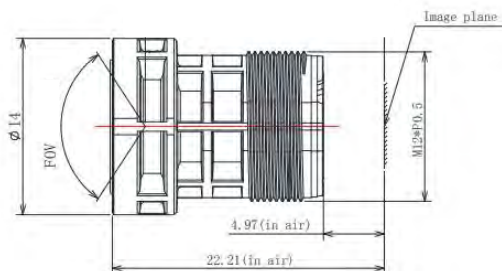
Resolution	FPS (MIPI 2 lanes)
1920 x 1200 (2.3MP)	60
1920 x 1080 (FHD)	60
1280 x 720 (HD)	120

Mechanical Drawing

Mechanical Drawing



Lens Specification



Items	Specification
F no.	2.2
Focal length	3.89mm
Lens structure	1G3P
Mount	M12*P0.5

Specifications

Max. Resolution	1920 x 1200 (2.3MP) @ 60fps
Output I/F	MIPI 15pins (2 lanes)
Power Consumption	Approximate 1W
Dimension (WxLxH)	38 x 38 x 22mm
Operating Temp.	-30°C ~ +70°C (main chip spec.)
CMOS Sensor	ONSEMI AR0234
Sensor Size	1/2.6"
Pixel Size	3um
Lens Type	Fixed focus (M12)
Lens D/H/V FOV	104°/86°/46°
Platform Support	INTEL, Nvidia Jetson, Xilinx (For more information please contact our local sales)

15 Pin #	15 Pin Name	Usage/Description
1	GND	Ground
2	CAM_D0_N	CSI Data 0
3	CAM_D0_P	CSI Data 0
4	GND	Ground
5	CAM_D1_N	CSI Data 1
6	CAM_D1_P	CSI Data 1
7	GND	Ground
8	CAM_CK_N	CSI Clock
9	CAM_CK_P	CSI Clock
10	GND	Ground
11	CAM_PWDN	Camera Power-down
12	CAM_MCLK	Camera Master Clock
13	CAM_SCL	I2C Clock (3.3V)
14	CAM_SDA	I2C Data (3.3V)
15	CAM_3V3	+3.3V

Order information

EV2M-OOM1-UHCA-E1
 MIPI Fixed Focus Camera Module(FFC/FPC cable included)
 7W7000000020
 MIPI CSI-2 FFC cable,15cm,15pins pitch 1mm
 7W7000000030
 MIPI CSI-2 FPC cable,15cm,15pins pitch 1mm to 22pins 0.5mm



FFC Cable appearance



FPC Cable appearance